



ISN GN-INOX Metal shelving



OPTIMIZE YOUR SPACE WITH THE NEW GN-INOX SHELVING

This stainless steel shelving is manufactured using an innovative mounting system that eliminates the front support and substantially increases the shelf surface (given the same space requirements) and allows a more effective and faster cleaning.

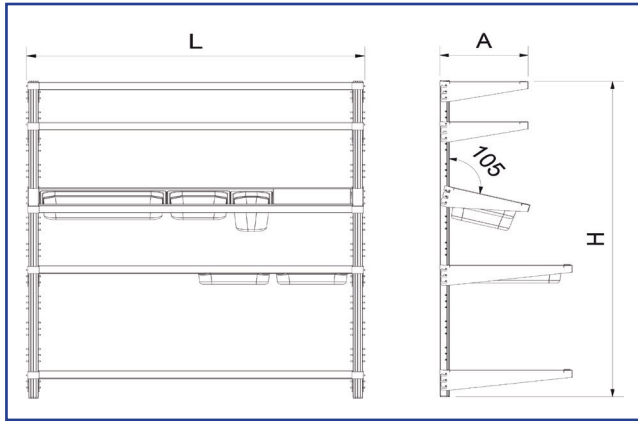
CARATTERISTICHE

- Completely made of stainless steel AISI 304.
- Tool-free assembly.
- Cantilever structure, hence better accessibility and greater amount of usable space.
- Its modular design makes the product versatile, allowing different applications and a better use of the space available.
- Easy to clean.
- Possibility of adding external elements such as drawers, bars to hang tools on, stainless steel basins.
- Possibility of tilting the planes, allowing it to be used as a display and to improve accessibility.

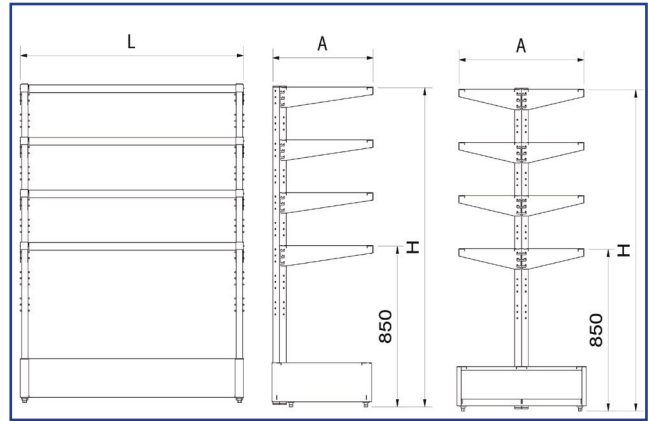




ISN GN-INOX Metal shelving



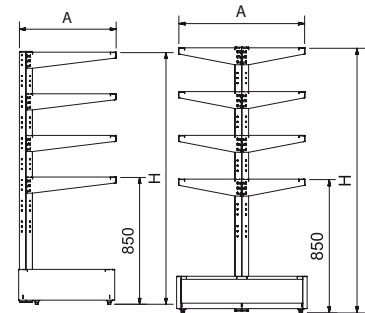
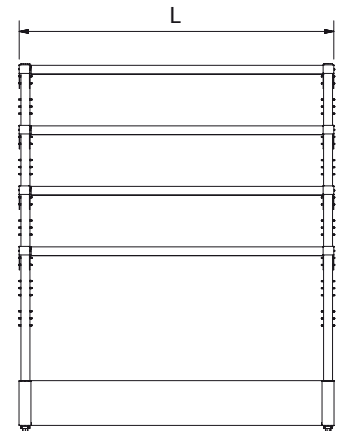
Wall-mounted model



Model with one- or two-front base

DIMENSIONS MODEL WITH BASE

DIMENSIONS		1/1 A=850 mm NUMBER OF SHELVES	2/1 A=1255 mm NUMBER OF SHELVES	DIMENSIONS		1/1 A=850 mm NUMBER OF SHELVES	2/1 A=1255 mm NUMBER OF SHELVES
mm		COMPOSITION		mm		COMPOSITION	
L	H	COMPOSITION	COMPOSITION	L	H	COMPOSITION	COMPOSITION
764	1.70	1L	1P	4.19	1.70	1L+1l+2n	1P+1p+2r
1.17	1.70	1M	1Q	4.28	1.70	1N+4l	1R+4p
1.44	1.70	1N	1R	4.39	1.70	1L+5l	1P+5p
			1P+1p	4.36	1.70	1L+2m+1n	1P+2q+1r
1.88	1.70	1L+1m	1P+1q	4.48	1.70	1L+2l+2m	1P+2p+2q
2.12	1.70	1L+1n	1P+1r	4.53	1.70	1M+3m	1Q+3q
2.16	1.70	1L+2l	1P+2p	4.60	1.70	1L+1M+2n	1P+1Q+2r
2.29	1.70	1M+1m	1Q+1q	4.68	1.70	1M+3l+1n	1Q+3p+1r
2.53	1.70	1M+1n	1Q+1r	4.72	1.70	1M+5l	1Q+5p
2.50	1.70	1M+2l	1Q+2p	4.77	1.70	1N+3m	1R+3q
2.75	1.70	1N+1n	1R+1r	4.88	1.70	1L+1l+3m	1P+1p+3q
2.88	1.70	1N+2l	1R+2p	4.84	1.70	1L+3n	1P+3r
2.89	1.70	1L+3l	1P+3p	4.90	1.70	1L+2l+2n	1P+2p+2r
3.00	1.70	1L+2m	1P+2q	4.95	1.70	1N+5l	1R+5p
3.24	1.70	1L+1m+1n	1P+1q+1r	5.01	1.70	1M+1m+2n	1Q+1q+2r
3.30	1.70	1M+3l	1Q+3p	5.00	1.70	1L+6l	1P+6p
3.44	1.70	1M+2m	1Q+2q	5.08	1.70	1N+2l+2m	1R+2p+2q
3.48	1.70	1L+2n	1P+2r	5.19	1.70	1L+3l+2m	1P+3p+2q
3.54	1.70	1N+3l	1R+3p	5.28	1.70	1L+4m	1P+4q
3.60	1.70	1L+4l	1P+4p	5.25	1.70	1M+3n	1Q+3r
3.66	1.70	1N+2m	1R+2q	5.38	1.70	1M+2l+2n	1Q+2p+2r
3.71	1.70	1L+1l+2m	1P+1p+2q				
3.80	1.70	1M+2n	1Q+2r				
3.93	1.70	1M+2l+1n	1Q+2p+1r				
4.08	1.70	1M+4l	1Q+4p				
4.12	1.70	1L+3m	1P+3q				
4.16	1.70	1N+2n	1R+2r				



ISN Technology

ISN Technology s.a.s. - Via dei Marzi 645 D - S.Cassiano a Vico - 55017 Lucca -
Tel. 0583 996445 - Fax 0691 594474 - www.isntechnology.it - info@isntechnology.it