

STAINLESS STEEL WALL CUPBOARD



ARTICLE	DIMENSIONS
00PCS10/6	1000x400x600
00PCS11/6	1100x400x600
00PCS12/6	1200x400x600
00PCS13/6	1300x400x600
00PCS14/6	1400x400x600
00PCS15/6	1500x400x600
00PCS16/6	1600x400x600
00PCS17/6	1700x400x600
00PCS18/6	1800x400x600
00PCS19/6	1900x400x600
00PCS20/6	2000x400x600
00PCS21/6	2100x400x600
00PCS22/6	2200x400x600
00PCS10/8	1000x400x800
00PCS11/8	1100x400x800
00PCS12/8	1200x400x800
00PCS13/8	1300x400x800
00PCS14/8	1400x400x800
00PCS15/8	1500x400x800
00PCS16/8	1600x400x800
00PCS17/8	1700x400x800
00PCS18/8	1800x400x800
00PCS19/8	1900x400x800
00PCS20/8	2000x400x800

ARTICLE WITH TWO INTERNAL SHELVES	DIMENSIONS
00PCS10/10	1000x400x1000
00PCS11/10	1100x400x1000
00PCS12/10	1200x400x1000
00PCS13/10	1300x400x1000
00PCS14/10	1400x400x1000
00PCS15/10	1500x400x1000
00PCS16/10	1600x400x1000
00PCS17/10	1700x400x1000
00PCS18/10	1800x400x1000
00PCS19/10	1900x400x1000
00PCS20/10	2000x400x1000

ISN Technology S.a.s Di Nicola Isola & C.

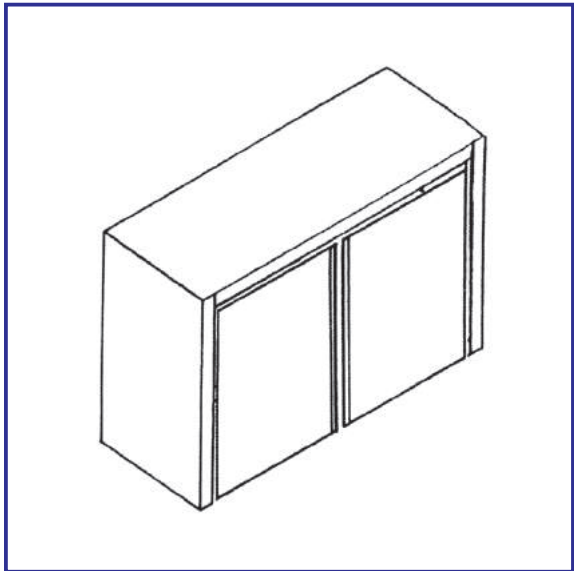
Via Ludovico Poschi Meuron 70 /C San Marco 55100 Lucca

Legal Address: Via dei Marzi 645D S.Cassiano A Vico 55017 Lucca

Phone: +39 (0) 583.996445/ Fax +39 (0) 583. 393765 / E - mail : info@isntechnology.it - Web: www.isntechnology.it

P.I. & C.F. : 02075720462

STAINLESS STEEL WITH HINGED DOORS AND INTERNAL SHELF



ARTICLE	DIMENSIONS
00PCB06/6	600x400x600
00PCB07/6	700x400x600
00PCB08/6	800x400x600
00PCB09/6	900x400x600
00PCB10/6	1000x400x600
00PCB11/6	1100x400x600
00PCB12/6	1200x400x600
00PCB06/8	600x400x800
00PCB07/8	700x400x800
00PCB08/8	800x400x800
00PCB09/8	900x400x800
00PCB10/8	1000x400x800
00PCB11/8	1100x400x800
00PCB12/8	1200x400x800

ARTICLE	DIMENSIONS
00PCBS06/6	600x400x600
00PCBS07/6	700x400x600
00PCBS08/6	800x400x600
00PCBS09/6	900x400x600
00PCBS10/6	1000x400x600
00PCBS11/6	1100x400x600
00PCBS12/6	1200x400x600
00PCBS06/8	600x400x800
00PCBS07/8	700x400x800
00PCBS08/8	800x400x800
00PCBS09/8	900x400x800
00PCBS10/8	1000x400x800
00PCBS11/8	1100x400x800
00PCBS12/8	1200x400x800

OPEN STAINLESS STEEL WALL CUPBOARD



ARTICLE	DIMENSIONS
00PA06/6	600x400x600
00PA07/6	700x400x600
00PA08/6	800x400x600
00PA09/6	900x400x600
00PA10/6	1000x400x600
00PA11/6	1100x400x600
00PA12/6	1200x400x600
00PA13/6	1300x400x600
00PA14/6	1400x400x600
00PA15/6	1500x400x600
00PA16/6	1600x400x600
00PA17/6	1700x400x600
00PA18/6	1800x400x600
00PA19/6	1900x400x600
00PA20/6	2000x400x600
00PA06/8	600x400x800
00PA07/8	700x400x800
00PA08/8	800x400x800
00PA09/8	900x400x800
00PA10/8	1000x400x800
00PA11/8	1100x400x800
00PA12/8	1200x400x800
00PA13/8	1300x400x800
00PA14/8	1400x400x800

ARTICLE	DIMENSIONS
00PA015/8	1500x400x800
00PA016/8	1600x400x800
00PA017/8	1700x400x800
00PA018/8	1800x400x800
00PA019/8	1900x400x800
00PA020/8	2000x400x800
ARTICLE WITH TWO INTERNAL SHELVES	DIMENSIONS
00PA010/10	1000x400x1000
00PA011/10	1100x400x1000
00PA012/10	1200x400x1000
00PA013/10	1300x400x1000
00PA014/10	1400x400x1000
00PA015/10	1500x400x1000
00PA016/10	1600x400x1000
00PA017/10	1700x400x1000
00PA018/10	1800x400x1000
00PA019/10	1900x400x1000
00PA020/10	2000x400x1000

ANGULAR STAINLESS STEEL WALL CUPBOARD



OPEN

CLOSED WITH DOORS

<i>ARTICLE WITH ONE INTERNAL SHELF</i>	<i>DIMENSIONS</i>
00PANG07/6	700x700x400x600
00PANG08/6	800x800x400x600
00PANG09/6	900x900x400x600
00PANG010/6	1000x1000x400x600
00PANG07/8	700x700x400x600
00PANG08/8	800x800x400x600
00PANG09/8	900x900x400x600
00PANG010/8	1000x1000x400x600
<i>ARTICLE WITH TWO INTERNAL SHELVES</i>	<i>DIMENSIONS</i>
00PANG07/10	700x700x400x1000
00PANG08/10	800x800x400x1000
00PANG09/10	900x900x400x1000
00PANG010/10	1000x1000x400x1000

<i>ARTICLE WITH ONE INTERNAL SHELF</i>	<i>DIMENSIONS</i>
00PBANG07/6	700x700x400x600
00PBANG08/6	800x800x400x600
00PBANG09/6	900x900x400x600
00PBANG010/6	1000x1000x400x600
00PBANG07/8	700x700x400x600
00PBANG08/8	800x800x400x600
00PBANG09/8	900x900x400x600
00PBANG010/8	1000x1000x400x600
<i>ARTICLE WITH TWO INTERNAL SHELVES</i>	<i>DIMENSIONS</i>
00PBANG07/10	700x700x400x1000
00PBANG08/10	800x800x400x1000
00PBANG09/10	900x900x400x1000
00PBANG010/10	1000x1000x400x1000

ACCESSOIRES FOR WALL CUPBOARD

SMOOTH ADDITIONAL SHELF	00RSLPXX/X*
DRILLED ADDITIONAL SHELF	00RSFPXX/X*
PLATE RACK	00SSP
TRAY DIM. 265x162x100h ON "L" GUIDES	00KVP10
TRAY DIM. 265x162x150h ON "L" GUIDES	00KVP15
TRAY DIM. 265x162x150h ON "L" GUIDES	00KVP15
HANGING WALL SUPPORT STRUCTURE ON A TUBULAR TABLE 40x40 H. 600 mm	00SPP
LOCK TYPE SHOWCASE KIT FOR WALL CUPBOARD WITH SLIDING DOORS	00KTSRP
LOCK KIT FOR WALL CUPBOARD WITH HINGED DOORS	00KTSRPB

***FOR REPLACE THE SIZE OF THE OBJECT FOR EXAMPLE ADDITIONAL SHELF DIM. 100X400
ART. 00RSLP10/4**