

Rectangular containers in stainless steel AISI 316

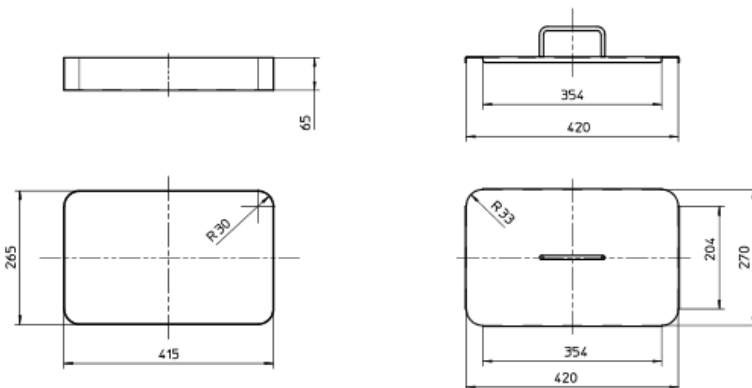
Technical features

- AISI 316 material
- Thickness 0.8 mm
- Fine satin finish
- With rounded corners



Part No.	Material	Lenght	Width	Depth
A234-220	316	220 mm	150 mm	45 mm
A234-355	316	355 mm	250 mm	55 mm
5A234-395	316	395 mm	280 mm	70 mm
A234-475	316	475 mm	315 mm	90 mm
A234-530	316	530 mm	325 mm	100 mm
A236-220	316	220 mm	150 mm	45 mm
A236-355	316	355 mm	220 mm	55 mm

We can make on request containers / trays / tanks in stainless steel AISI 316, with PHARMA finish that meet the CGMP.



Rectangular containers in 304 stainless steel

Technical features:

- AISI 304 material
- Thickness 1 mm
- Fine satin finish
- With rounded corners



Part No.	Lenght	Width	H mm	Capacity
7755/350	350 mm	250 mm	50 mm	4L
7755-450	450 mm	300 mm	50 mm	6L
7755/550	550 mm	350 mm	50 mm	8L
7755/650	650 mm	400 mm	50 mm	11L



Part No.	Lenght	Width	H mm	Capacity
5400/190	190 mm	120 mm	40 mm	0.6L
5400/240	240 mm	170 mm	40 mm	1.2L
5400/300	300 mm	205 mm	55 mm	2L



Code	External lenght	External width	H mm	Capacity
5407/250	260 mm	200 mm	45 mm	1,8 L
5407/300	310 mm	245 mm	50 mm	3 L
5407/350	360 mm	275 mm	50 mm	4 L



Code	External lenght	External width	H mm	Capacity
5405/240	240 mm	160 mm	45 mm	1 L
5405/300	310 mm	200 mm	45 mm	1.5 L
5405/340	340 mm	210 mm	60 mm	3 L
5405/360	375 mm	270 mm	45 mm	3.3 L



Code	A mm	B mm	H mm	Capacity
VSC01	165 external	165 external	120	2.5 L
	150 internal	130 internal	150	3 L



Code	A mm	B mm	H mm	Capacity
VSC03	330 external	165 external	80	3.4 L
	300 internal	150 internal	120	5 L
			150	7 L
			180	9 L



Code	A mm	B mm	H mm	Capacity
VSC11	330 external	250 external	80	4.6 L
	300 internal	235 internal	120	7 L
			150	10 L
			180	13 L



Code	A mm	B mm	H mm	Capacity
VSC05	330 external	330 external	120	11 L
	315 internal	300 internal		



Code	A mm	B mm	H mm	Capacity
VSC02	180 external	165 external	120	2.7 L
	150 internal	150 internal		



Code	A mm	B mm	H mm	Capacity
VSC04	360 external	165 external	80	3.5 L
	330 internal	140 internal	120	5 L
			150	7 L
			180	8 L



Code	A mm	B mm	H mm	Capacity
VSC10	360 external	250 external	80	5.4 L
	332 internal	227 internal	120	8 L
			150	11 L
			180	14 L



Code	A mm	B mm	H mm	Capacity
VSC06	420 external	200 external	150	10 L
	400 internal	180 internal	170	12 L
			200	14 L
			250	18 L



Code	A mm	B mm	H mm	Capacity
VSC07	210 external	200 external	150	5 L
	190 internal	180 internal	170	5.5 L
			200	6.5 L



Code	A mm	B mm	H mm	Capacity
VSC08	258 external	157 external	120	3.4 L
	235 internal	135 internal	150	4.25 L
			170	5 L



Code	A mm	B mm	H mm	Capacity
GST2/1	650 external	530 external	20	8 L
	625 internal	505 internal	40	11 L
			65	18.4 L
			100	28.9 L
			150	43.4 L
			200	57.5 L



Code	A mm	B mm	H mm	Capacity
GST1/1	530 external	325 external	20	2 L
	505 internal	300 internal	40	5.1 L
			65	8.5 L
			100	13.3 L
			150	20 L
			200	26.5 L



Code	A mm	B mm	H mm	Capacity
GST1/2	325 external	265 external	20	1 L
	300 internal	240 internal	40	2.3 L
			65	3.8 L
			100	6 L
			150	8.9 L
			200	11.7 L



Code	A mm	B mm	H mm	Capacity
GST1/3	325 external	176 external	20	0.3 L
	300 internal	151 internal	40	1.4 L
			65	2.4 L
			100	3.8 L
			150	5.5 L
			200	7.5 L



Code	A mm	B mm	H mm	Capacity
GST1/4	265 external	162 external	20	0.4 L
	240 internal	137 internal	65	1.7 L
			100	2.7 L
			150	4 L
			200	5.2 L



Code	A mm	B mm	H mm	Capacity
GST1/6	176 external	162 external	65	1 L
	151 internal	137 internal	100	1.6 L
			150	2.2 L
			200	3 L



Code	A mm	B mm	H mm	Capacity
GST1/9	176 external	108 external	65	0.6 L
	151 internal	83 internal	100	0.9 L



Code	A mm	B mm	H mm	Capacity
GST2/3	354 external	325 external	20	1.5 L
	329 internal	300 internal	40	3.3 L
			65	5.4 L
			100	8.5 L
			150	12.7 L
			200	16.7 L



Code	A mm	B mm	H mm	Capacity
GST2/4	530 external	162 external	20	1 L
	505 internal	137 internal	40	2.3 L
			65	4 L
			100	6 L
			150	9 L

Rectangular 304 stainless steel perforated containers

Technical features:

- AISI 304 material
- Thickness 1 mm
- Fine satin finish
- With rounded corners
- Holes as described below

Code	A mm	B mm	H mm
GST2/1F	650 external	530 external	20
	625 internal	505 internal	40
			65
Holes diameter 4 mm			100
Bottom holes			20 - 40 - 65
Bottom and side holes			100 - 150 - 200

Code	A mm	B mm	H mm
GST1/1F	530 external	325 external	20
	505 internal	300 internal	40
			65
Holes diameter 4 mm			100
Bottom holes			20 - 40 - 65
Bottom and side holes			100 - 150 - 200

Code	A mm	B mm	H mm
GST2/3F	354 external	325 external	20
	329 internal	300 internal	40
			65
Holes diameter 4 mm			100
Bottom holes			20 - 40 - 65
Bottom and side holes			100 - 150 - 200

Code	A mm	B mm	H mm
FNC2/1F	650 external	530 external	20
	625 internal	505 internal	40
			65
FNC2/1F	530 external	325 external	20
	505 internal	300 internal	40
			65
FNC2/1F	354 external	325 external	20
	505 internal	300 internal	40
			65

