
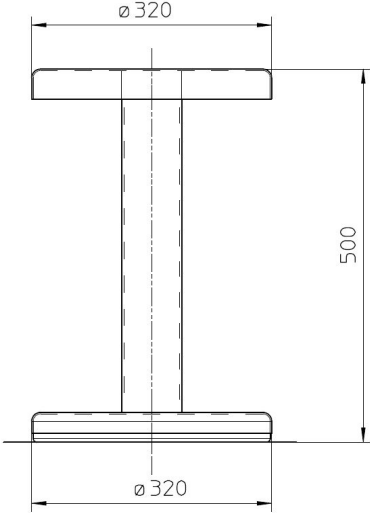


	Technical description
 	<p>AR0225 Stainless steel stool with fixed height and floor lamp</p> <p><b>Features</b></p> <ul style="list-style-type: none"> <li>• Satin finish with removed weldings</li> <li>• Base in stainless steel with non-marking plastic underside</li> <li>• Supporting structure in AISI 304 stainless steel</li> <li>• Dimensions as shown in the diagram</li> </ul> <p><b>Product advantages</b></p> <ul style="list-style-type: none"> <li>-Lightness</li> <li>-Washable</li> <li>-Autoclavable</li> <li>-Corrosion resistant</li> <li>-Warranty: 2 years</li> </ul> <p><b>Extra price</b></p> <ul style="list-style-type: none"> <li>-Stainless steel back with adjustable height</li> <li>-Stainless steel backrest adjustable in height and depth</li> <li>-Seat adjustable in height.</li> <li>-Material Stainless Steel AISI 316</li> </ul>

## Technical description

AR0173 Stainless steel stool with adjustable feet

### Features

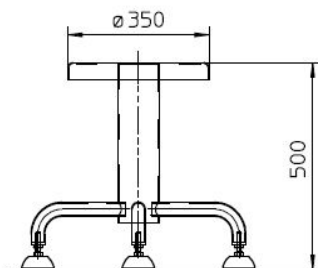
- Supporting structure in AISI 304 stainless steel.
- Satin finish with completely removed welds.
- With rounded edges.
- Seat Ø 400 fixed height H 500 mm
- N ° 5 cylindrical stainless steel feet adjustable in height with anti-slip rubber support.
- Dimensions as shown in the diagram

### Product advantages

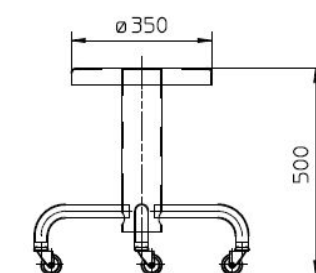
- Lightness
- Washable
- Autoclavable
- Corrosion resistant
- Warranty: 2 years

### Extra price

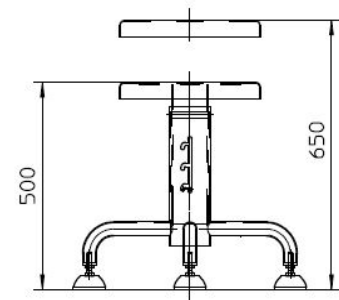
- Stainless steel back with adjustable height
- Height adjustable seat.
- Nylon wheels with stainless steel support
- Adjustable stainless steel feet
- Material Stainless steel AISI 316



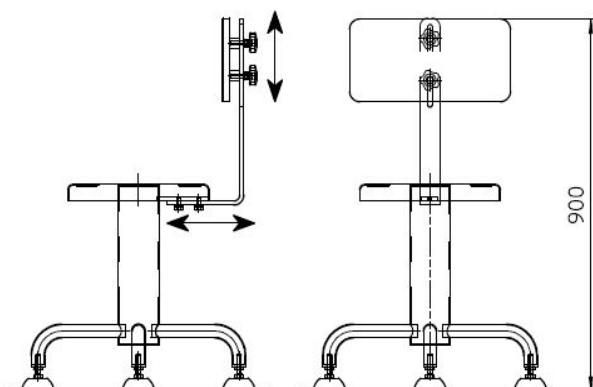
BASIC STOOL



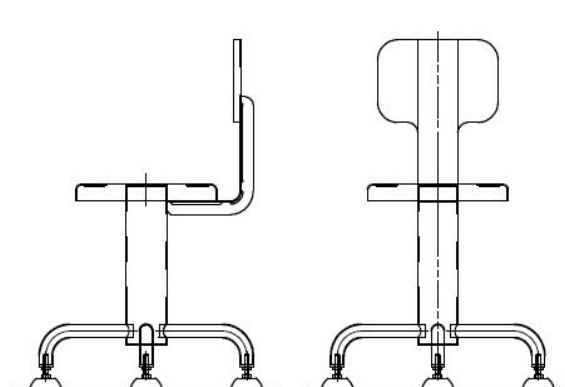
OPTIONAL: NYLON WHEELS WITH STAINLESS STEEL SUPPORT  
N ° 2 WHEELS WITH PARKING BRAKE



OPTIONAL:  
ADJUSTABLE SITTING



OPTIONAL: ADJUSTABLE BACK



OPTIONAL: FIXED BACK

## Technical description



Stainless steel stool model  
**ISN 3VN 12VHXX 00 903**

### Features

- 5-rocket stainless steel base with feet
- Supporting structure in AISI 316 stainless steel with height adjustment 470-730 mm, thanks to a screw not visible but located inside the column
- Circular seat in white V-Korr resin.



Stainless steel stool model  
**ISN 3VN 26VHXX 00 903**

### Features

- 5-rocket stainless steel base with feet
- Supporting structure in stainless steel AISI 316 with height adjustment 520-780 mm, thanks to a screw that is not in sight but located inside the column
- Ergonomic white V-Korr seat, seat inclined forward.
- Shock absorbers on seat



### Product advantages:

- Washable
- Autoclavable at low temperatures
- Corrosion resistant
- Warranty: 2 years

### Extra price

- No. 5 plastic wheels. With wheels height of the stool 500/760 mm.
- No. 5 wheels with stainless steel support. With wheels height of the stool 500/760 mm.
- Stainless steel footrest.
- Backrest in white V-Korr resin and 4 shock absorbers
- Ø400 mm circular seat and back in stainless steel.



## Technical description



Stool with polyurethane seat



Stool with stainless steel seat

Stainless steel stool model  
**ISN 7NN 13 SS**

### Features

- 5-rocket stainless steel base with feet
- Column in AISI 304 stainless steel with height adjustment 470-620 mm, thanks to the telescopic seat.
- With mechanical lock on height adjustment.
- Soft swivel seat in black polyurethane. Hermetic without staples or seams.

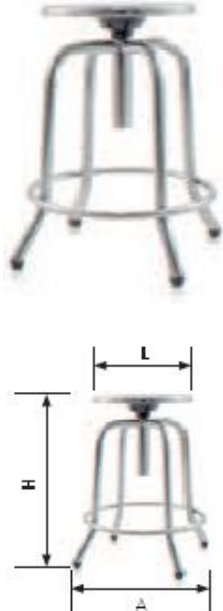
### Product advantages

- Washable
- Corrosion resistant
- Warranty: 2 years

### Extra price

- No. 5 plastic wheels. With the wheels height of the stool 510/660 mm.
- No. 5 wheels with stainless steel support. With the wheels height of the stool 510/660 mm.
- Increased height: 610/760 mm with feet, 650/800 mm with wheels.
- Stainless steel seat
- Stainless steel fixed back

	Technical description
	<p>Stainless steel stool model <b>ISN 7KA SS</b></p> <p>Semicircular base in stainless steel covered by a black anti-scratch PVC coating.</p> <ul style="list-style-type: none"> <li>• inclined stainless steel column with 710-990 mm height adjustment thanks to a pressure pin.</li> <li>• cylindrical seat in black or light blue in soft Polyurethane, with carrying handle</li> </ul> <p><b>Product advantages</b></p> <ul style="list-style-type: none"> <li>-Ergonomics and design</li> <li>-Eliminates fatigue</li> <li>-Resistant to corrosion</li> <li>-Compact</li> <li>-Easily transportable</li> <li>-Warranty: 2 years</li> </ul> <p><b>If You place the order please specify the colour of the seat</b></p>

	Technical description										
 <div data-bbox="300 1872 683 2051"> <p><b>Dimensions</b> Dimensions Dimensions</p> <table border="1"> <thead> <tr> <th>L</th> <th>A</th> <th>H</th> <th>N</th> <th>Kg</th> </tr> </thead> <tbody> <tr> <td>290</td> <td>460</td> <td>640</td> <td>500</td> <td>4,0</td> </tr> </tbody> </table> </div>	L	A	H	N	Kg	290	460	640	500	4,0	<p>Stainless steel stool model <b>ISN 482 SS</b></p> <p>Construction type as shown in the attached picture.</p> <p>N ° 4 support feet with non-slip rubber.</p> <p>Circular stainless steel seat with adjustable height 500-640 mm with screw.</p> <p><b>Product advantages</b></p> <ul style="list-style-type: none"> <li>-Construction type and easy price</li> <li>-Resistant to corrosion</li> <li>-With foot support</li> <li>-Warranty: 2 years</li> </ul>
L	A	H	N	Kg							
290	460	640	500	4,0							

<b>Technical description</b>	
	<p><b>Model ST SS</b></p> <p>Basic model stainless steel chair with backrest on wheels Dimensions 410x500x880 H</p>
	<p><b>ST BS model</b> High stainless steel stool with backrest on wheels cushioned seat</p> <p><b>ST BS 890</b> Dimensions 410x500x890 H Seat height: 610 mm</p> <p><b>ST BS 950</b> Dimensions 410x500x950 H Seat height: 720 mm</p>
	<p><b>ST BP model</b></p> <p>Folding Stainless steel chair on wheels Dimensions 410x500x880 H</p>
	<p><b>Model OD01</b></p> <p>Stainless steel stool Dimensions 385x367x475 H</p>

**Descriptive photos of the product, typical for the type**

