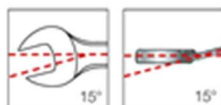


STAINLESS STEEL TOOLS



Set of combination keys closed / open in passivated stainless steel. Not autoclavable.

Code	Description
010-3503-56	Series with 9 pieces measuring from 8 to 19 mm.



Long hexagonal hex wrench set with stainless steel spherical head. Not autoclavable.

Code	Description
013- 3642	Series with 9 pieces from size 1.5 to 10 mm



Hexagonal Allen key set in stainless steel. Not autoclavable

Code	Description
010-3641	Series with 9 pieces from size 1.5 to 10 mm

Attention: the information and the dimensions contained are not binding and may change without notice

ISN Technology S.a.s. di Nicola Isola & C.
Operative office: Via Ludovico Poschi Meuron 70/C San Marco 55100 Lucca
Registered office: Via dei Marzi 645D S. Cassiano A Vico 55017 Lucca
 Tel. +39(0)583 996445 - Fax.+39(0)583 393765 - E-mail: info@isntechnology.it - Web: www.isntechnology.it
 VAT: IT02075720462



Hexagonal male keys bent with spherical ends, made of stainless steel. Not autoclavable

Code	mm	L mm	L1 mm	Weight g
020/BP 2	2	91	22	4
020/BP 2.5	2.5	91	22	6
020/BP 3	3	101	24	11
020/BP 4	4	112	29	19
020/BP 5	5	131	33	32
020/BP 6	6	154	36	51
020/BP 7	7	164	40	65
020/BP 8	8	175	44	116
020/BP 10	10	197	51	189



Hexagonal male keys bent with spherical ends, made of stainless steel. Autoclavable.

Code	mm
013-0152-10	1,5
013-0202-10	2,0
013-0252-10	2,5
013-0302-10	3,0
013-0402-10	4,0
013-0502-10	5,0
013-0602-10	6,0
013-0702-10	7,0
013-0802-10	8,0
013-0902-10	9,0
013-1002-10	10,0
013-1102-10	11,0
013-1202-10	12,0
013-1402-10	14,0
013-1702-10	17,0



Stainless steel hammer with one end in metal and one in plastic. Autoclavable.

Code	Description
016-3521-15	Wight 350 g, Ø head 30 mm, length 190 mm
016-5021-15	Weight 500 gr, Ø head 40 mm, length 219 mm



Stainless steel hammer with one end in metal. Autoclavable.

Code	Description
016-1419-10	Weight 240 g, Ø head 26 mm, length 195 mm



Hammer in stainless steel. Not autoclavable.

Code	Description
020BP1370	Weight 500 g, Ø head 25 mm, L1 101 mm, L 240 mm



Closed key in passivated stainless steel Autoclavable.

Code	Description
010-0505-10	Key 5 mm
010-0707-10	Key 7 mm
010-0808-10	Key 8 mm
010-1010-10	Key 10 mm
010-1313-10	Key 13 mm
010-1717-10	Key 17 mm
010-1919-10	Key 19 mm
010-2222-10	Key 22 mm
010-2424-10	Key 24 mm
010-2727-10	Key 27 mm
010-3030-10	Key 30 mm
010-3232-10	Key 32 mm



Closed key in passivated stainless steel Not autoclavable

Code	Description
020/42-6	Key 6 mm
020/42-8	Key 8 mm
020/42-10	Key 10 mm
020/42-11	Key 11 mm
020/42-12	Key 12 mm
020/42-13	Key 13 mm
020/42-14	Key 14 mm
020/42-15	Key 15 mm
020/42-16	Key 16 mm
020/42-17	Key 17 mm
020/42-19	Key 19 mm



Adjustable polygrip forceps in passivated stainless steel. Autoclavable

Code	Description
030-2535-10	Length 250 mm, 5 positions. Maximum opening 55 mm



Adjustable snap-on forceps in passivated stainless steel. Non-autoclavable

Code	Description
1048INOX	Length 250 mm



Passivated stainless steel roller spanner. Autoclavable.

Code	Description
012-2220-10	width of the open spanner 22 mm, length 200 mm



Roller spanner in passivated stainless steel. Not autoclavable.

Code	Description
111INOX 150	width of the open spanner 18 mm, length 150 mm
111INOX 200	width of the open spanner 24 mm, length 200 mm
111 INOX 250	width of the open spanner 30 mm, length 250 mm



Adjustable snap forceps in passivated stainless steel. Autoclavable.

Code	Description
030-0318-10	Length 180 mm



Passivated stainless steel forceps. Autoclavable.

Code	Description
030-0114-10	Length 140 mm



Passivated stainless steel forceps with return spring. Autoclavable.

Code	Description
030-0216-10	Length 165 mm



Passivated stainless steel forceps with return spring. Not autoclavable.

Code	Description
030-440054	Length 160 mm



Universal forceps in passivated stainless steel. Autoclavable.

Code	Description
030-0117-10	Length 170 mm



Universal forceps in passivated stainless steel. Not autoclavable.

Code	Description
020/1153	Length 150 mm



Straight scissors, alternate tips, in passivated stainless steel. Autoclavable.

Code	Description
DM-1102/11	Lunghezza 115 mm
DM-1102/13	Lunghezza 130 mm
DM-1102/14	Lunghezza 145 mm
DM-1102/16	Lunghezza 160 mm
DM-1102/18	Lunghezza 185 mm



Straight scissors, rounded tips, in passivated stainless steel. Autoclavable.

Code	Description
DM-1100/11	Length 115 mm
DM-1100/13	Length 130 mm
DM-1100/14	Length 145 mm
DM-1100/16	Length 160 mm
DM-1100/18	Length 185 mm



Sharp straight scissors, in passivated stainless steel. Autoclavable.

Code	Description
DM-1104/11	Length 115 mm
DM-1104/13	Lunghezza 130 mm



Extra flat stainless steel cutter 9 mm. Not autoclavable.

Code	Description
3311	Lunghezza 130 mm



Stainless steel pliers. Autoclavable.

Code	Length
034-0110-10	100 mm
031-0111-10	115 mm
031-0113-10	130 mm
034-0114-10	145 mm
034-0116-10	160 mm
034-0118-10	180 mm
034-0120-10	200 mm
034-0125-10	250 mm
034-0130-10	300 mm
034-0135-10	350 mm
034-0145-10	450 mm
034-0160-10	600 mm
034-0199-10	1000 mm



Stainless steel pliers. Not autoclavable

Code	Length
181/200	200 mm
181/250	250 mm
181/300	300 mm



Autoclavable screwdriver with stainless steel stem and plastic handle, 100 mm stem length.

Code	Description
014-3010-15	Ø stem 3 mm
014-4010-15	Ø stem 4 mm
014-5010-15	Ø stem 5 mm
014-6010-15	Ø stem 6 mm
014-8010-15	Ø stem 8 mm
014-0010-15	Ø stem 10 mm



Screwdriver set with stainless steel stem and plastic handle. Not autoclavable.

Footprints carving, Phillips and Pozidriv
Ergonomic bi-material handle
Not autoclavable

Code	Description
014-4170	Assortment of 8 pieces



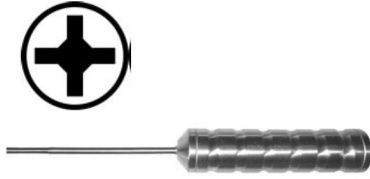
Autoclavable screwdriver with stainless steel stem and handle, stem length 100 mm.

Code	Description
014-3010-10	Ø stem 3 mm
014-4010-10	Ø stem 4 mm
014-5010-10	Ø stem 5 mm
014-6010-10	Ø stem 6 mm
014-8010-10	Ø stem 8 mm
014-010-10	Ø stem 10mm



Autoclavable screwdriver with stainless steel stem and plastic handle, 100 mm stem length.

Code	Description
014-0011-15	Stem Phillips 0
014-0111-15	Stem Phillips 1
014-0211-15	Stem Phillips 2
014-0311-15	Stem Phillips 3



Autoclavable screwdriver with stainless steel stem and handle, stem length 100 mm.

Code	Description
014-0011-10	Stem Philips 0
014-0111-10	Stem Philips 1
014-0211-10	Stem Philips 2
014-0311-10	Stem Philips 3



Stainless steel key with articulated sector and nosepiece. Not autoclavable.

Code	Description
AM56796	Size 20 - 35
AM56804	Size 35 - 60
AM56812	Size 60 - 90
AM56820	Size 90 - 155
AM56838	Size 155 - 230



Reversible ratchet with passivated stainless steel body and rubber handle. Not autoclavable.

Code	Description
3201F	With 1/4 " connection Length 108 mm



Series of 45 pieces in stainless steel. Not autoclavable.

Code	Description
4003	With 1/4 " connection Series of bushings for keys from 4 to 14 mm. Series of hexagon inserts from 4 to 8mm Various inserts: with fingerprints, Phillips and Pozidriv carve.



**Reversible ratchet in passivated stainless steel.
Autoclavable.**

Code	Description
020-0038-10	With 3/8 "connection and stainless steel handle
020-0038-15	With 3/8 "connection and plastic handle

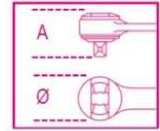


3/8 "removable socket in passivated stainless steel. Autoclavable.

Code	Description
025-0638-10	Key 6 mm
025-0738-10	Key 7 mm
025-0838-10	Key 8 mm
025-0938-10	Key 9 mm
025-1038-10	Key 10 mm
025-1138-10	Key 11 mm
025-1238-10	Key 12 mm
025-1338-10	Key 13 mm
025-1438-10	Key 14 mm
025-1538-10	Key 15 mm
025-1638-10	Key 16 mm
025-1738-10	Key 17 mm
025-1838-10	Key 18 mm
025-1938-10	Key 19 mm
025-2138-10	Key 21 mm
025-2238-10	Key 22 mm
025-2438-10	Key 24 mm

**3/8 " socket kit in passivated stainless steel.
Autoclavable.**

Code	Description
025-2438-14	N ° 17 section sockets from 6 mm to 24 mm



**Reversible ratchet with male square connection 1/2 " mechanism 72 teeth in stainless steel.
Not autoclavable.**

Code	L mm	Ø mm	A mm
920/55INOX	264	40	43



Socket wrenches with 1/2 " female square drive socket. Not autoclavable.

Code	Description
920INOX-A8	Key 8 mm
920INOX-A9	Key 9 mm
920INOX-A10	Key 10 mm
920INOX-A11	Key 11 mm
920INOX-A12	Key 12 mm
920INOX-A13	Key 13 mm
920INOX-A14	Key 14 mm
920INOX-A15	Key 15 mm
920INOX-A16	Key 16 mm
920INOX-A17	Key 17 mm
920INOX-A18	Key 18 mm
920INOX-A19	Key 19 mm
920INOX-A20	Key 20 mm
920INOX-A21	Key 21 mm
920INOX-A22	Key 22 mm
920INOX-A24	Key 24 mm
920INOX-A27	Key 27 mm
920INOX-A30	Key 30 mm
920INOX-A32	Key 32 mm



**3/8 "extension in passivated stainless steel.
Autoclavable.**

Code	Description
025-3805-10	Length. 50 mm
025-3810-10	Length 100 mm
025-3815-10	Length 150 mm
025-3820-10	Length 200 mm



**3/8 "insert with hexagonal allen end in
passivated stainless steel. Autoclavable.**

Code	Description
025-8303-10	hexagon 3 mm
025-8304-10	hexagon 4 mm
025-8305-10	hexagon 5 mm
025-8306-10	hexagon 6 mm
025-8307-10	hexagon 7 mm
025-8308-10	hexagon 8 mm
025-8310-10	hexagon 10 mm



**3/8 "jointed joint in passivated stainless steel.
Autoclavable.**

Code	Description
025-3890-10	

**3/8 "insert kit with hexagonal allen end in
passivated stainless steel. Autoclavable.**

Code	Description
025-1038-14	No. 6 inserts from section from 4 mm to 10 mm



**Tightening extension with end for removable
passivated stainless steel socket.
Autoclavable.**

Code	Description
013-0306-10	hexagon 3 mm length 300 mm
013-0406-10	hexagon 4 mm length 300 mm
013-0506-10	hexagon 5 mm length 300 mm
013-0606-10	hexagon 6 mm length 300 mm



**Key with end for 3/8 "removable socket made of
passivated stainless steel. Autoclavable.**

Code	Description
015-9810-10	Stainless steel handle Length 100 mm
015-9810-15	Black plastic handle Length 100 mm



Key with end for removable 1/4 "stainless steel compass. Autoclavable.

Code	Description
015-9410-10	Stainless steel handle Length 100 mm
015-9410-15	Black plastic handle Length 100 mm



1/4 "removable passivated stainless steel socket. Autoclavable.

Code	Description
025-0514-10	Key di 5 mm
025-0614-10	Key di 6 mm
025-0714-10	Key di 7 mm
025-0814-10	Key di 8 mm
025-0914-10	Key di 9 mm
025-1014-10	Key di 10 mm
025-1114-10	Key di 11 mm
025-1214-10	Key di 12 mm
025-1314-10	Key di 13 mm
025-1414-10	Key di 14 mm



Passivated stainless steel cutters with return spring. Autoclavable.

Code	Description
030-0618-10	Length 180 mm



Nippers in passivated stainless steel. Autoclavable.

Code	Description
030-0715-10	Length 150 mm. Maximum thread section 1 mm



Autoclavable screwdriver in stainless steel, end cap Allen 100 mm.

Code	Description
014-3014-10	Key 3 mm
014-4014-10	Key 4 mm
014-5014-10	Key 5 mm
014-6014-10	Key 6 mm
014-8014-10	Key 8 mm
014-1014-10	Key 10 mm



Autoclavable screwdriver with stainless steel stem and plastic handle, end cap Allen 100 mm.

Code	Description
014-3014-15	Key 3 mm
014-4014-15	Key 4 mm
014-5014-15	Key 5 mm
014-6014-15	Key 6 mm
014-8014-15	Key 8 mm
014-1014-15	Key 10 mm



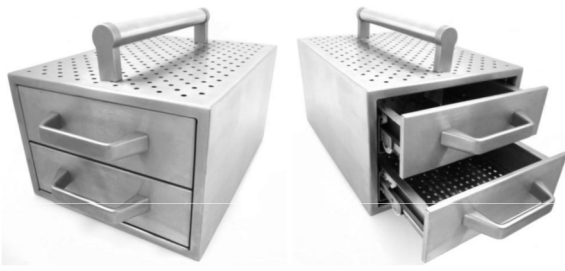
Autoclavable screwdriver made of stainless steel with a 100 mm stem length

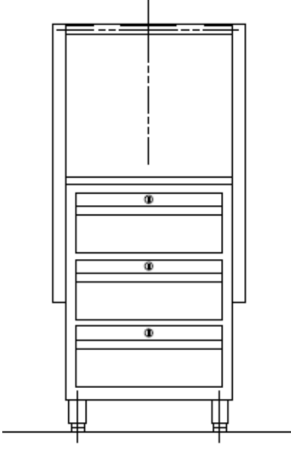
Code	Description
015-0410-10	Key 4 mm
015-0510-10	Key 5 mm
015-0610-10	Key 6 mm
015-0710-10	Key 7 mm
015-0810-10	Key 8 mm
015-0910-10	Key 9 mm
015-1010-10	Key 10 mm
015-1110-10	Key 11 mm
015-1210-10	Key 12 mm
015-1310-10	Key 13 mm



Autoclavable screwdriver with stainless steel shaft and plastic handle, 100 mm rod length.

Code	Description
015-0410-15	Key 4 mm
015-0510-15	Key 5 mm
015-0610-15	Key 6 mm
015-0710-15	Key 7 mm
015-0810-15	Key 8 mm
015-0910-15	Key 9 mm
015-1010-15	Key 10 mm
015-1110-15	Key 11 mm
015-1210-15	Key 12 mm
015-1310-15	Key 13 mm

	Technical description
	<p>Stainless steel tool box</p> <p>Features:</p> <ul style="list-style-type: none"> - With upper handle - Drawers with key lock <p>With n° 1 drawer, dim. 300x400x270H mm</p> <p>With n° 2 drawers, dim. 300x400x550H mm</p> <p>Extra price for construction with top, drawer bottom and perforated base</p>

	Technical description
	<p>Trolley case in stainless steel for tools</p> <p>Features:</p> <ul style="list-style-type: none"> ➤ Dimensions as per dis. AR0331 ➤ With 3 drawers ➤ With 2 rear wheels and 2 front feet ➤ With upper handle ➤ Drawers with key lock ➤ Dimensions: 400x400x1000 mm <p>Extra price for construction with top, drawer bottom and perforated base</p> <p>Extra price for stainless steel tank fixed on top box for tools, 20 mm high edge</p> <p>Extra price for internal division drawers with 2 or 4 spaces, one drawer</p>

We can produce stainless steel tools according to our customer specifications, here below some of our realizations:

