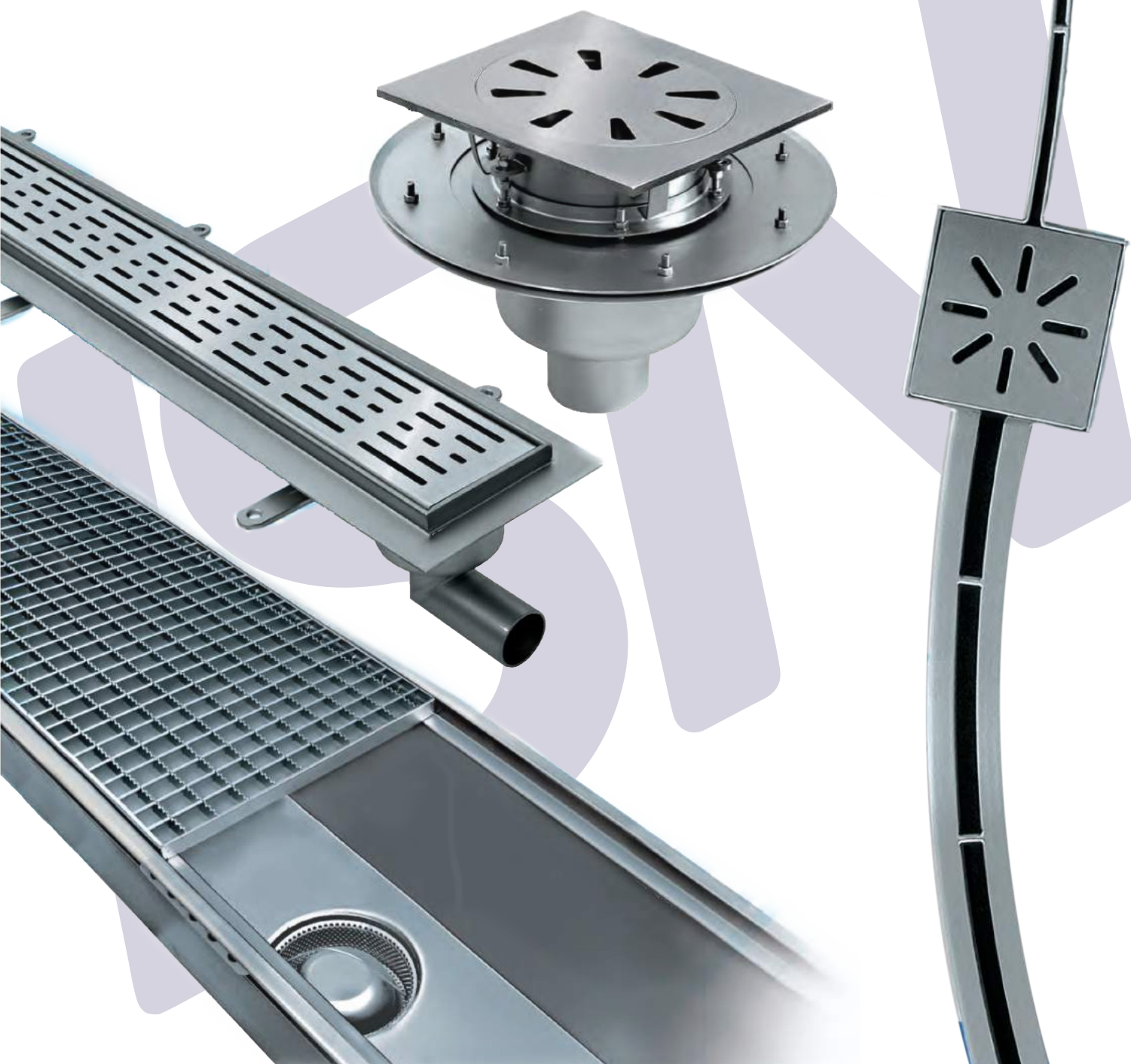


## *Drainage systems in stainless steel*



**ISN Technology S.a.s Di Nicola Isola & C.**

Via Ludovico Poschi Meuron 70 /C San Marco 55100 Lucca - Italy

Legal Address: Via dei Marzi 645D S.Cassiano A Vico 55017 Lucca - Italy

Phone: +39 (0) 583.996445/ Fax +39 (0) 583. 393765 / E - mail : [info@isntechnology.it](mailto:info@isntechnology.it) - Web: [www.isntechnology.it](http://www.isntechnology.it)

VAT. IT 02075720462

*This catalogue may be useful to all operators to find the ideal solution for any drainage problems in industrial floors.*

*Our company offers a very wide range of gullies, inspections, drain channels also inclusive of grating covers. These allows them to be used, without restriction, in all modern drainage systems for food-processing plants (slaughter-house, wine-cellar, kitchens, dairy and fish industries), also in chemical and pharmaceutical industries, and swimming pools.*

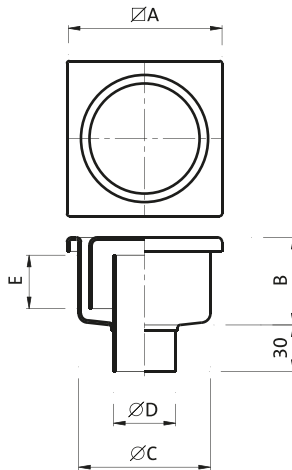
*All our goods are made of Stainless Steel AISI 304 (316 on request), the high quality assures an easy washing, hygienic conditions and safety, in any surrounding, as required by the European Community market and his regulations.*

*Our company provides planning assistance, advise and assembly.*

*For any information, please, contact our offices.*

	<b>Standard gullies</b> .....	<b>4</b>
	<b>Gullies with O-ring closure</b> .....	<b>9</b>
	<b>Gullies lower version</b> .....	<b>10</b>
	<b>Cover for gullies with special execution</b> .....	<b>11</b>
	<b>Gullies with horizontal outlet</b> .....	<b>12</b>
	<b>Telescopic gullies</b> .....	<b>15</b>
	<b>Round gullies (several kinds)</b> .....	<b>16</b>
	<b>Inspection gullies</b> .....	<b>17</b>
	<b>Inspection frame water tight</b> .....	<b>18</b>
	<b>Clean out</b> .....	<b>19</b>
	<b>Special applications</b> .....	<b>19</b>
	<b>Round channels (Giotto®)</b> .....	<b>20</b>
	<b>Stainless steel slot channels</b> .....	<b>21</b>
	<b>Small channels for terraces</b> .....	<b>27</b>
	<b>Channels for swimming pools</b> .....	<b>28</b>
	<b>Flat edge channels for swimming</b> .....	<b>29</b>
	<b>Channels for showers</b> .....	<b>30</b>
	<b>Basis with grating covers</b> .....	<b>32</b>
	<b>Channels system with grating covers width 150 mm</b> .....	<b>33</b>
	<b>Channels with grating covers</b> .....	<b>36</b>
	<b>Angle frame with grating covers</b> .....	<b>41</b>

**P.062** GULLY 100x100,  
OUTLET  $\varnothing$  40 mm

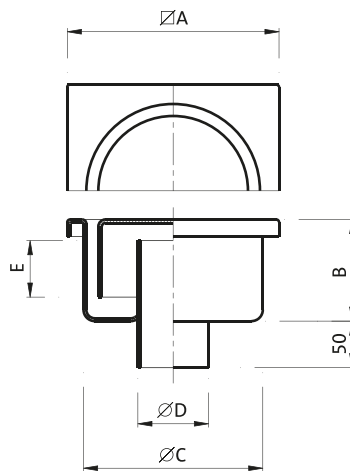


### Features

Finish: **Sand-blast or polished**  
Available with or without basket.

Item.	Main Measurements (mm)					Capacity (Kg)		Outlet capacity
	$\varnothing$ A	B	$\varnothing$ C	$\varnothing$ D	E	Concentrated load	Distributed load	Lt/min.
P 062	100	56	85	40	33	200	/	20

**P.070** GULLY 150x150,  
OUTLET  $\varnothing$  50 mm

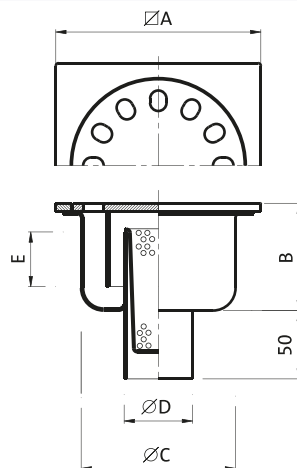


### Features

Finish: **Sand-blast or polished**  
Available with or without basket..

Item.	Main Measurements (mm)					Capacity (Kg)		Outlet capacity
	$\varnothing$ A	B	$\varnothing$ C	$\varnothing$ D	E	Concentrated load	Distributed load	Lt/min.
P 070	150	75	126	50	33	400	/	38

**P.024** GULLY 150x150,  
OUTLET  $\varnothing$  50 mm

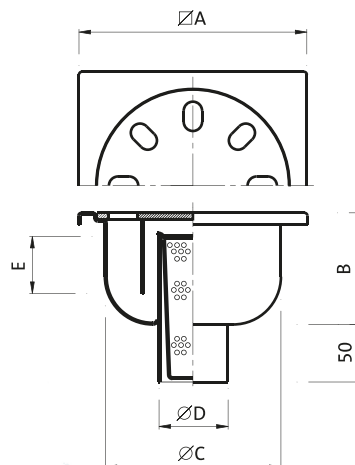


### Features

Finish: **Sand-blast**  
Also available with or without basket and with cover fastened with a screw.  
On request round model.

Item.	Main Measurements (mm)					Capacity (Kg)		Outlet capacity
	$\varnothing$ A	B	$\varnothing$ C	$\varnothing$ D	E	Concentrated load	Distributed load	Lt/min.
P 024	150	80	110	50	35	1000	5000	38

**P.002** GULLY 200x200,  
OUTLET  $\varnothing$  63,5 mm

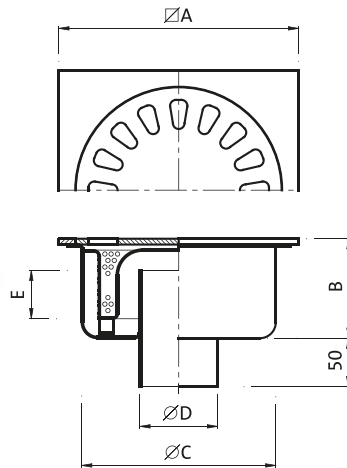


### Features

Finish: **Sand-blast**  
Also available with or without basket and with cover fastened with a screw.

Item.	Main Measurements (mm)					Capacity (Kg)		Outlet capacity
	$\varnothing$ A	B	$\varnothing$ C	$\varnothing$ D	E	Concentrated load	Distributed load	Lt/min.
P 002	200	85	150	63,5	50	850	4600	74

**P.016** GULLY 250x250,  
OUTLET  $\varnothing$  76/80 mm



### Features

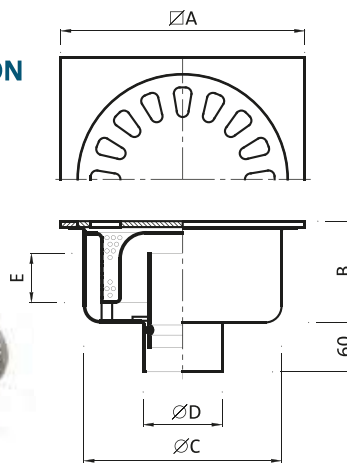
Finish: **Sand-blast**

**Also available: with or without basket, with cover fastened with a screw, and also with top plate of different thickness.**

**On request round model.**

Item.	Main Measurements (mm)					Capacity (Kg)		Outlet capacity Lt/min.
	$\varnothing$ A	B	$\varnothing$ C	$\varnothing$ D	E	Concentrated load	Distributed load	
P 016	250	115	195	76 80	50	850	6500	110

**P.025** GULLY 250x250,  
OUTLET  $\varnothing$  76 mm  
WITH REMOVABLE SIPHON



### Features

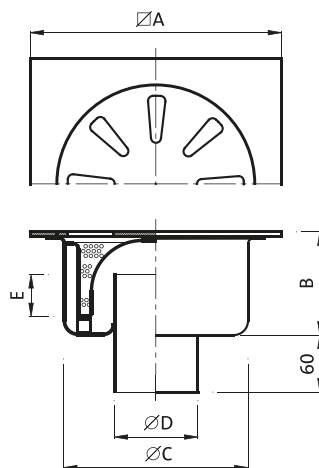
Finish: **Sand-blast**

**Also available: with or without basket, with cover fastened with a screw, and also with top plate of different thickness.**

**On request round model.**

Item.	Main Measurements (mm)					Capacity (Kg)		Outlet capacity Lt/min.
	$\varnothing$ A	B	$\varnothing$ C	$\varnothing$ D	E	Concentrated load	Distributed load	
P 025	250	115	195	76	50	850	6500	46

**P.005** GULLY 300x300,  
OUTLET  $\varnothing$  101,6/110 mm



### Features

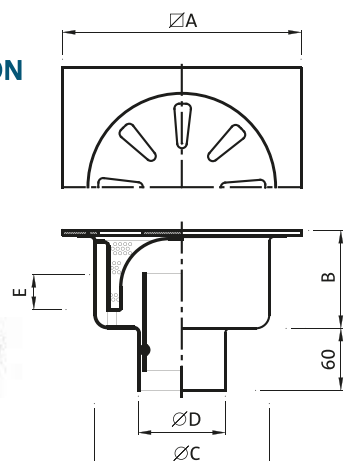
Finish: **Sand-blast**

**Also available: with or without basket, with cover fastened with a screw, and also with top plate of different thickness.**

**On request round model.**

Item.	Main Measurements (mm)					Capacity (Kg)		Outlet capacity Lt/min.
	$\varnothing$ A	B	$\varnothing$ C	$\varnothing$ D	E	Concentrated load	Distributed load	
P 005	300	126	220	101,6 110	60	850	6500	140

**P.026** GULLY 300x300,  
OUTLET  $\varnothing$  110 mm  
WITH REMOVABLE SIPHON



### Features

Finish: **Sand-blast**

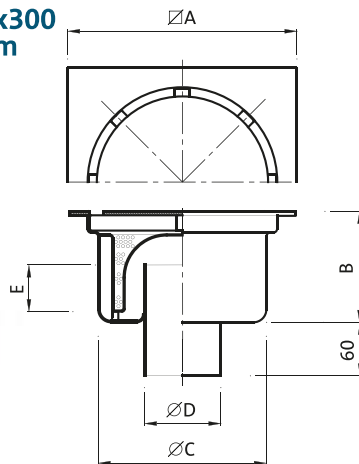
**Also available: with or without basket, with cover fastened with a screw, and also with top plate of different thickness.**

**On request round model.**

Item.	Main Measurements (mm)					Capacity (Kg)		Outlet capacity Lt/min.
	$\varnothing$ A	B	$\varnothing$ C	$\varnothing$ D	E	Concentrated load	Distributed load	
P.026	300	126	220	110	60	850	6500	130



**P.007** REINFORCED GULLY 300x300  
OUTLET  $\varnothing$  101,6/110 mm



### Features

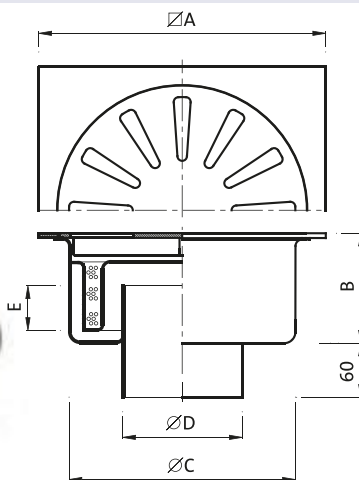
Finish: **Sand-blast**

**Also available:** with or without basket, with cover fastened with a screw, and also with top plate of different thickness.

On request round model.

Item.	Main Measurements (mm)					Capacity (Kg)		Outlet capacity Lt/min.
	$\varnothing$ A	B	$\varnothing$ C	$\varnothing$ D	E	Concentrated load	Distributed load	
P007	300	145	220	101,6 110	60	1600	16400	130

**P.020** GULLY 350x350  
OUTLET  $\varnothing$  154 mm



### Features

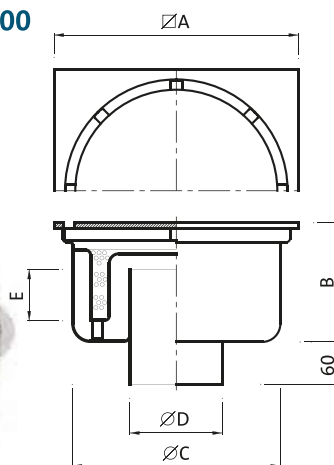
Finish: **Sand-blast**

**Also available:** with or without basket, with cover fastened with a screw, and also with top plate of different thickness.

On request round model.

Item.	Main Measurements (mm)					Capacity (Kg)		Outlet capacity Lt/min.
	$\varnothing$ A	B	$\varnothing$ C	$\varnothing$ D	E	Concentrated load	Distributed load	
P020	350	150	290	154	60	600	4000	220

**P.010** REINFORCED GULLY 400x400  
OUTLET  $\varnothing$  154 mm



### Features

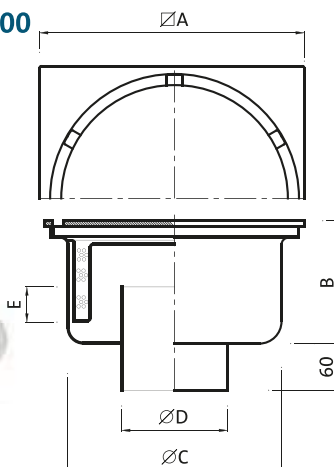
Finish: **Sand-blast**

**Also available:** with or without basket, with cover fastened with a screw, and also with top plate of different thickness.

On request round model.

Item.	Main Measurements (mm)					Capacity (Kg)		Outlet capacity Lt/min.
	$\varnothing$ A	B	$\varnothing$ C	$\varnothing$ D	E	Concentrated load	Distributed load	
P 010	400	200	340	154	70	1900	14900	220

**P.019** REINFORCED GULLY 500x500  
OUTLET  $\varnothing$  219 mm



### Features

Finish: **Sand-blast**

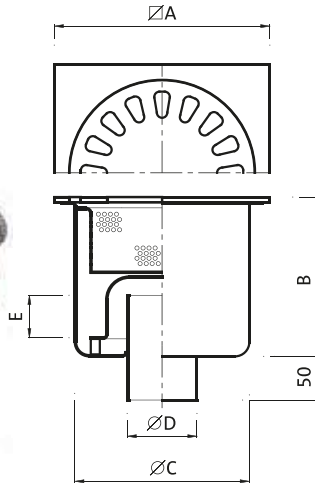
**Also available:** with or without basket, with cover fastened with a screw, and also with top plate of different thickness.

On request round model.

Item.	Main Measurements (mm)					Capacity (Kg)		Outlet capacity Lt/min.
	$\varnothing$ A	B	$\varnothing$ C	$\varnothing$ D	E	Concentrated load	Distributed load	
P 019	500	235	425	219	80	1900	14900	270

**P.072**

**GULLY 250x250  
WITH SEPARATED BASKET  
OUTLET  $\varnothing$  76/80 mm**



### Features

Finish: **Sand-blast**

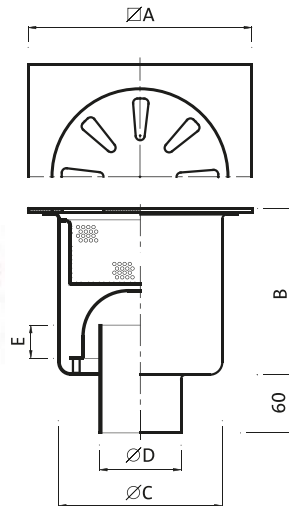
Also available with top plate of different thickness.

On request round model.

Item.	Main Measurements (mm)					Capacity (Kg)		Outlet capacity Lt/min.
	$\varnothing A$	B	$\varnothing C$	$\varnothing D$	E	Concentrated load	Distributed load	
P.072	250	220	195	76 80	50	850	6500	80

**P.074**

**GULLY 300x300  
WITH SEPARATED BASKET  
OUTLET  $\varnothing$  101,6/110 mm**



### Features

Finish: **Sand-blast**

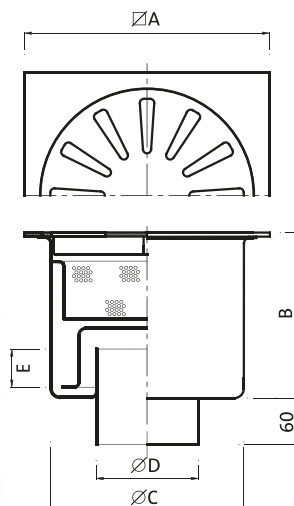
Also available with top plate of different thickness.

On request round model.

Item.	Main Measurements (mm)					Capacity (Kg)		Outlet capacity Lt/min.
	$\varnothing A$	B	$\varnothing C$	$\varnothing D$	E	Concentrated load	Distributed load	
P.074	300	220	220	101,6 110	60	850	6500	130

**P.076**

**GULLY 350x350  
WITH SEPARATED BASKET  
OUTLET  $\varnothing$  154 mm**



### Features

Finish: **Sand-blast**

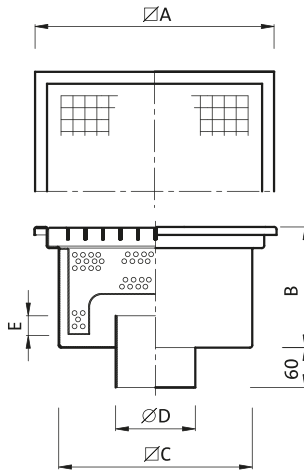
Also available with top plate of different thickness.

On request round model.

Item.	Main Measurements (mm)					Capacity (Kg)		Outlet capacity Lt/min.
	$\varnothing A$	B	$\varnothing C$	$\varnothing D$	E	Concentrated load	Distributed load	
P.076	350	250	290	154	60	600	4000	220

**PGR.025080**

**GULLY 250x250  
GRATING COVER  
OUTLET  $\varnothing$  80 mm**



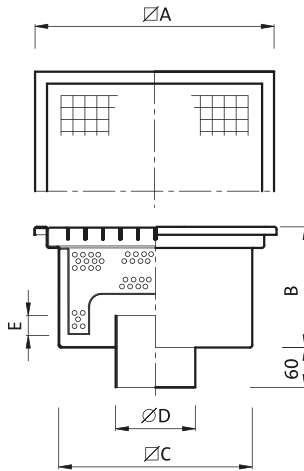
### Features

Finish: **Sand-blast**  
**Standard grating cover:**  
 bearing surface 25x3 mesh 22x22.  
 Also available with grating cover  
 in different mesh.

Item.	Main Measurements (mm)					Capacity (Kg)		Outlet capacity Lt/min.
	$\varnothing$ A	B	$\varnothing$ C	$\varnothing$ D	E	80x80	120x120	
PGR.025080	250	250	215	80	60	710	1250	80

**PGR.030100**

**GULLY 300x300  
GRATING COVER  
OUTLET  $\varnothing$  101,6 mm**



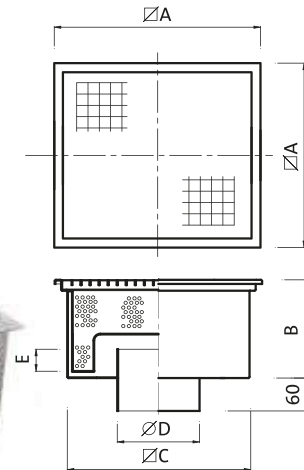
### Features

Finish: **Sand-blast**  
**Standard grating cover:**  
 bearing surface 25x3 mesh 22x22.  
 Also available with grating cover  
 in different mesh.

Item.	Main Measurements (mm)					Capacity (Kg)		Outlet capacity Lt/min.
	$\varnothing$ A	B	$\varnothing$ C	$\varnothing$ D	E	80x80	120x120	
PGR.030100	300	250	265	101,6	60	520	880	130

**PGR.040154**

**GULLY 400x400  
GRATING COVER  
OUTLET  $\varnothing$  154 mm**



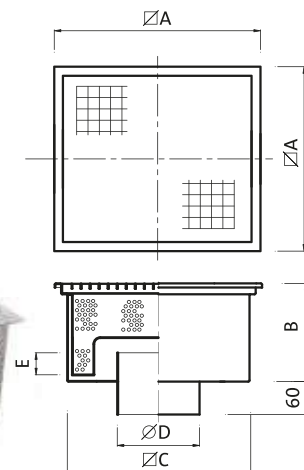
### Features

Finish: **Sand-blast**  
**Standard grating cover:**  
 bearing surface 25x3 mesh 22x22.  
 Also available with grating cover  
 in different mesh.

Item.	Main Measurements (mm)					Capacity (Kg)		Outlet capacity Lt/min.
	$\varnothing$ A	B	$\varnothing$ C	$\varnothing$ D	E	80x80	120x120	
PGR.040154	400	250	365	154	60	340	550	220

**PGR.050219**

**GULLY 500x500  
GRATING COVER  
OUTLET  $\varnothing$  219 mm**

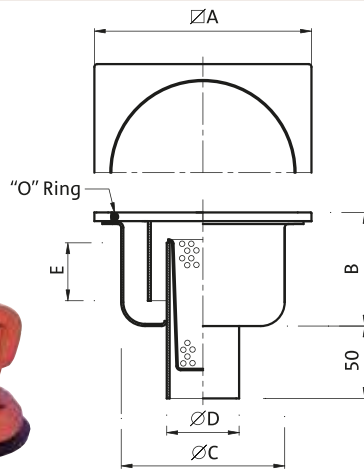


### Features

Finish: **Sand-blast**  
**Standard grating cover:**  
 bearing surface 30x3 mesh 22x22.  
 Also available with grating cover  
 in different mesh.

Item.	Main Measurements (mm)					Capacity (Kg)		Outlet capacity Lt/min.
	$\varnothing$ A	B	$\varnothing$ C	$\varnothing$ D	E	80x80	120x120	
PGR.050219	500	250	465	219	60	360	580	270

**P.024C** GULLY 150x150,  
OUTLET  $\varnothing$  50 mm



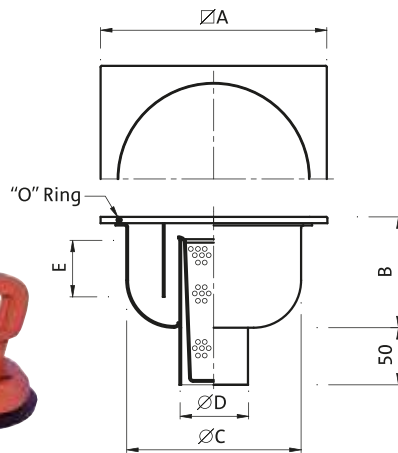
### Features

Finish: **Sand-blast**

**Also available:** with or without basket, lower and round version, with cover fastened with a screw.  
**Sucker, accessory sell separately.**

Item.	Main Measurements (mm)					Capacity (Kg)		Outlet capacity
	$\varnothing A$	B	$\varnothing C$	$\varnothing D$	E	Concentrated load	Distributed load	Lt/min.
P.024C	150	80	110	50	35	1000	5000	38

**P.002C** GULLY 200x200,  
OUTLET  $\varnothing$  63,5 mm



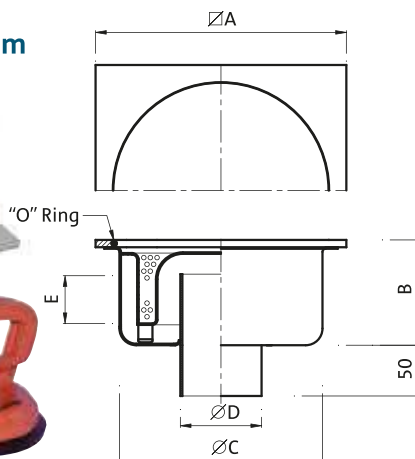
### Features

Finish: **Sand-blast**

**Also available:** with or without basket, lower and round version, with cover fastened with a screw.  
**Sucker, accessory sell separately.**

Item.	Main Measurements (mm)					Capacity (Kg)		Outlet capacity
	$\varnothing A$	B	$\varnothing C$	$\varnothing D$	E	Concentrated load	Distributed load	Lt/min.
P.002C	200	85	150	63,5	50	850	4600	46

**P.064** GULLY 250x250,  
OUTLET  $\varnothing$  76/80 mm



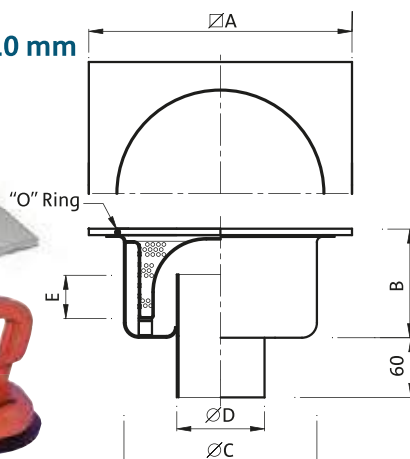
### Features

Finish: **Sand-blast**

**Also available:** with or without basket, lower and round version, with cover fastened with a screw.  
**Sucker, accessory sell separately.**

Item.	Main Measurements (mm)					Capacity (Kg)		Outlet capacity
	$\varnothing A$	B	$\varnothing C$	$\varnothing D$	E	Concentrated load	Distributed load	Lt/min.
P.064	250	115	195	76 80	50	850	6500	80

**P.065** GULLY 300x300,  
OUTLET  $\varnothing$  101,6/110 mm



### Features

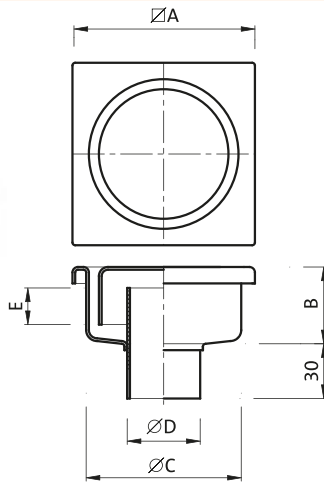
Finish: **Sand-blast**

**Also available:** with or without basket, lower and round version, with cover fastened with a screw.  
**Sucker, accessory sell separately.**

Item.	Main Measurements (mm)					Capacity (Kg)		Outlet capacity
	$\varnothing A$	B	$\varnothing C$	$\varnothing D$	E	Concentrated load	Distributed load	Lt/min.
P.065	300	126	220	110 101,6	60	850	6500	130



**P.066** GULLY 100x100,  
OUTLET  $\varnothing$  40 mm



### Features

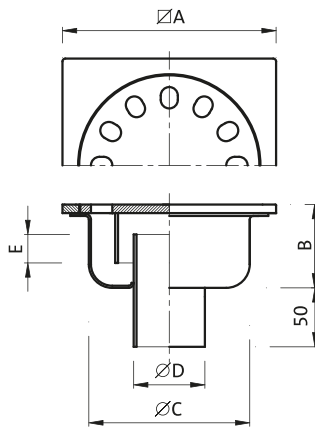
Finish: **Sand-blast or polished**

### N.B.:

Available 150x150mm version  
outlet  $\varnothing$ 50mm

Item.	Main Measurements (mm)					Capacity (Kg)		Outlet capacity
	$\varnothing A$	B	$\varnothing C$	$\varnothing D$	E	Concentrated load	Distributed load	Lt/min.
P.066	100	35	85	40	15	200		12

**P.028** GULLY 150x150,  
OUTLET  $\varnothing$  50 mm



### Features

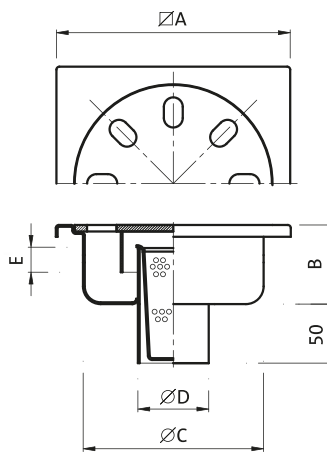
Finish: **Sand-blast**

Also available with or without basket and with  
cover fastened with a screw.

On request round model.

Item.	Main Measurements (mm)					Capacity (Kg)		Outlet capacity
	$\varnothing A$	B	$\varnothing C$	$\varnothing D$	E	Concentrated load	Distributed load	Lt/min.
P.028	150	55	110	50	20	1000	5000	38

**P.014** GULLY 200x200,  
OUTLET  $\varnothing$  63,5 mm



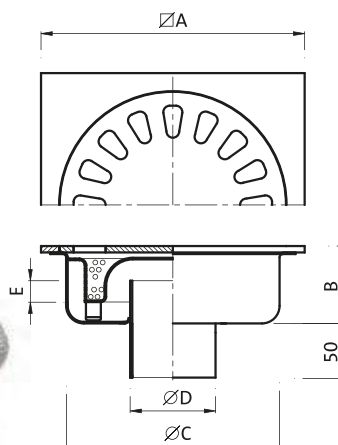
### Features

Finish: **Sand-blast**

Also available with or without basket and with  
cover fastened with a screw.

Item.	Main Measurements (mm)					Capacity (Kg)		Outlet capacity
	$\varnothing A$	B	$\varnothing C$	$\varnothing D$	E	Concentrated load	Distributed load	Lt/min.
P.014	200	50	150	63,5	25	850	4600	46

**P.030** GULLY 250x250,  
OUTLET  $\varnothing$  76/80 mm



### Features

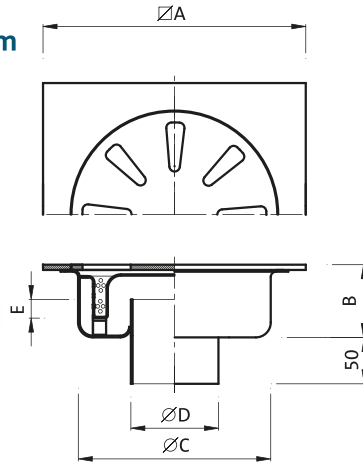
Finish: **Sand-blast**

Also available with or without basket and with  
cover fastened with a screw.

On request round model.

Item.	Main Measurements (mm)					Capacity (Kg)		Outlet capacity
	$\varnothing A$	B	$\varnothing C$	$\varnothing D$	E	Concentrated load	Distributed load	Lt/min.
P030	250	85	195	76 80	25	850	6500	80

**P.006** GULLY 300x300,  
OUTLET  $\varnothing$  101,6/110 mm

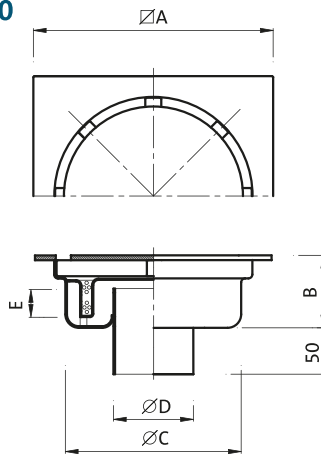


**Features**

Finish: **Sand-blast**  
Also available with or without basket and with cover fastened with a screw.  
On request round model.

Item.	Main Measurements (mm)					Capacity (Kg)		Outlet capacity Lt/min.
	$\varnothing$ A	B	$\varnothing$ C	$\varnothing$ D	E	Concentrated load	Distributed load	
P006	300	85	220	101,6 110	30	850	6500	130

**P.012** REINFORCED GULLY 300x300  
OUTLET  $\varnothing$  101,6/110 mm



**Features**

Finish: **Sand-blast**  
Also available with or without basket and with cover fastened with a screw.  
On request round model.

Item.	Main Measurements (mm)					Capacity (Kg)		Outlet capacity Lt/min.
	$\varnothing$ A	B	$\varnothing$ C	$\varnothing$ D	E	Concentrated load	Distributed load	
P012	300	85	220	101,6 110	25	1600	16400	130

## COVER FOR GULLIES On request we produce specials executions

OPTIONAL FOR GULLY:

- PGR.025080
- PGR.030100
- PGR.040154
- PGR.050219



OPTIONAL FOR GULLY:

- P.002 P.072
- P.005 P.074
- P.016 P.076
- P.020 P.025
- P.026 P.024



OPTIONAL FOR GULLY:

- PGR.025080
- PGR.030100
- PGR.040154
- PGR.050219



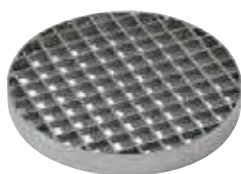
OPTIONAL FOR GULLY:

- P.002 P.072
- P.005 P.074
- P.016 P.076
- P.020 P.025
- P.026 P.024



OPTIONAL FOR GULLY:

- P.007
- P.010
- P.080

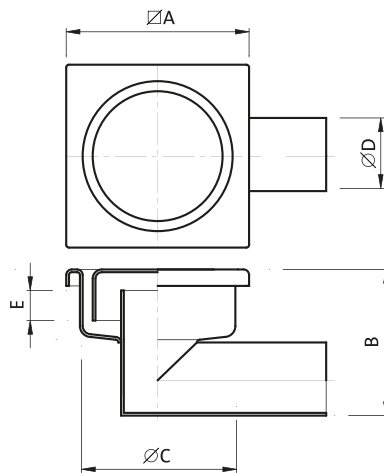


OPTIONAL FOR GULLY:

- P.007
- P.010
- P.080



**P.066L** GULLY 100x100,  
OUTLET  $\varnothing$  40 mm



### Features

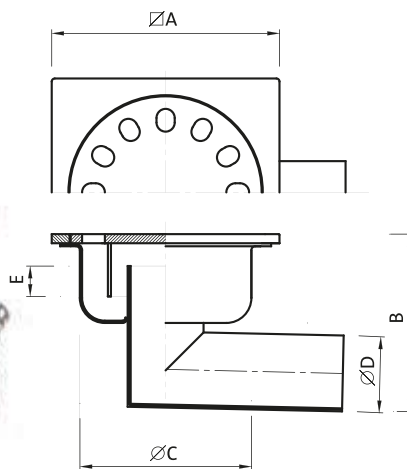
Finish: **Sand-blast** or polished.

### N.B.:

Available 150x150mm Version  
outlet  $\varnothing$ 50mm

Item.	Main Measurements (mm)					Capacity (Kg)		Outlet capacity Lt/min.
	$\varnothing$ A	B	$\varnothing$ C	$\varnothing$ D	E	Concentrated load	Distributed load	
P.066L	100	90	85	40	15	200		12
P.062L	100	105	85	40	33	200		12

**P.028L** GULLY 150x150,  
OUTLET  $\varnothing$  50 mm



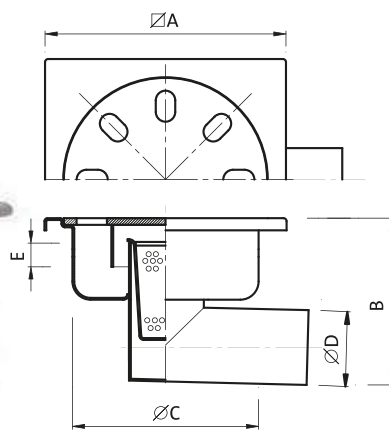
### Features

Finish: **Sand-blast**

Also available with or without basket and with  
cover fastened with a screw.

Item.	Main Measurements (mm)					Capacity (Kg)		Outlet capacity Lt/min.
	$\varnothing$ A	B	$\varnothing$ C	$\varnothing$ D	E	Concentrated load	Distributed load	
P.028L	150	115	110	50	20	1000	5000	38
P.024L	150	130	110	50	35	1000	5000	38

**P.014L** GULLY 200x200,  
OUTLET  $\varnothing$  63,5 mm



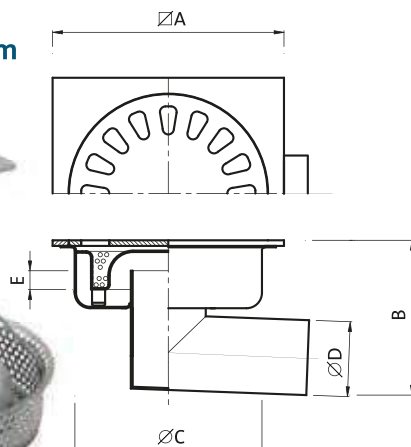
### Features

Finish: **Sand-blast**

Also available with or without basket and with  
cover fastened with a screw.

Item.	Main Measurements (mm)					Capacity (Kg)		Outlet capacity Lt/min.
	$\varnothing$ A	B	$\varnothing$ C	$\varnothing$ D	E	Concentrated load	Distributed load	
P.014L	200	125	150	63,5	25	850	4600	46
P.002L	200	150	150	63,5	50	850	4600	46

**P.030L** GULLY 250x250,  
OUTLET  $\varnothing$  76/80 mm



### Features

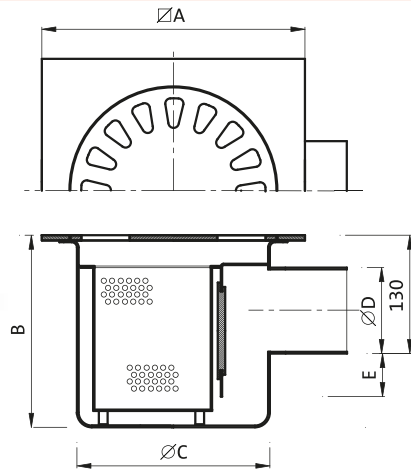
Finish: **Sand-blast**

Also available with or without basket and with  
cover fastened with a screw.

On request round model.

Item.	Main Measurements (mm)					Capacity (Kg)		Outlet capacity Lt/min.
	$\varnothing$ A	B	$\varnothing$ C	$\varnothing$ D	E	Concentrated load	Distributed load	
P.030L	250	175	195	76 80	25	850	6500	80
P.016L	250	200	195	80	50	850	6500	80

**P.030L/2** GULLY 250x250, OUTLET  $\varnothing$  76/80 mm

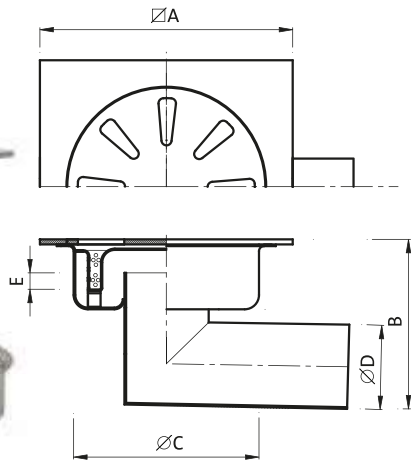


### Features

Finish: **Sand-blast**  
Also available with or without basket and with cover fastened with a screw.  
On request round model.

Item.	Main Measurements (mm)					Capacity (Kg)		Outlet capacity Lt/min.
	$\varnothing$ A	B	$\varnothing$ C	$\varnothing$ D	E	Concentrated load	Distributed load	
P030L/2	250	250	195	76 80	60	850	6500	80

**P.006L** GULLY 300x300, OUTLET  $\varnothing$  101,6/110 mm

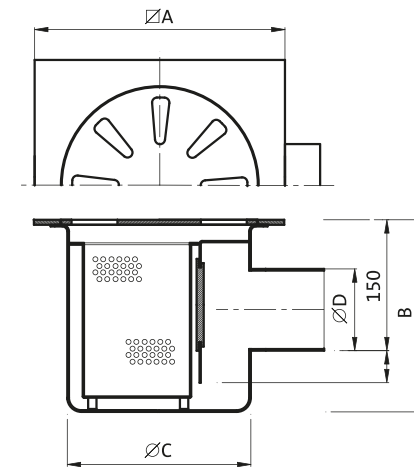


### Features

Finish: **Sand-blast**  
Also available with or without basket and with cover fastened with a screw.  
On request round model.

Item.	Main Measurements (mm)					Capacity (Kg)		Outlet capacity Lt/min.
	$\varnothing$ A	B	$\varnothing$ C	$\varnothing$ D	E	Concentrated load	Distributed load	
P.006L	300	200	220	101,6 110	30	850	6500	130
P.005L	300	240	220	101,6 110	60	850	6500	130

**P.006L/2** GULLY 300x300, OUTLET  $\varnothing$  101,6/110 mm

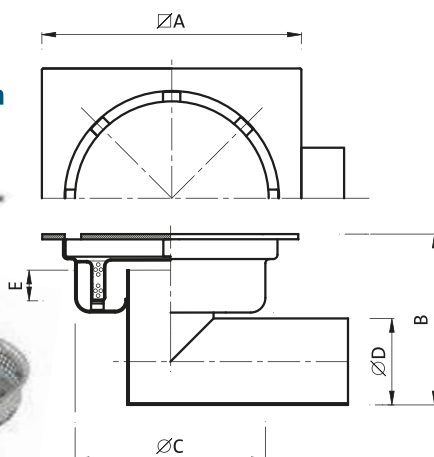


### Features

Finish: **Sand-blast**  
Also available with or without basket and with cover fastened with a screw.  
On request round model.

Item.	Main Measurements (mm)					Capacity (Kg)		Outlet capacity Lt/min.
	$\varnothing$ A	B	$\varnothing$ C	$\varnothing$ D	E	Concentrated load	Distributed load	
P006L/2	300	250	220	101,6 110	60	850	6500	130

**P.012L** REINFORCED GULLY 300x300, OUTLET  $\varnothing$  101,6/110 mm



### Features

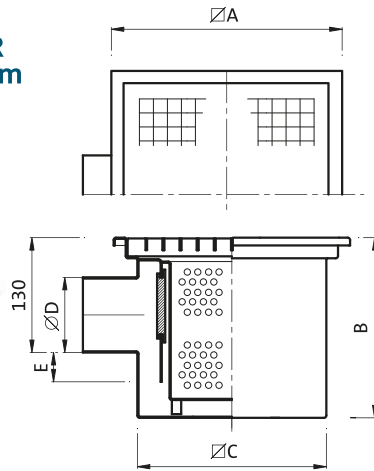
Finish: **Sand-blast**  
Also available with or without basket and with cover fastened with a screw.  
On request round model.

Item.	Main Measurements (mm)					Capacity (Kg)		Outlet capacity Lt/min.
	$\varnothing$ A	B	$\varnothing$ C	$\varnothing$ D	E	Concentrated load	Distributed load	
P.012L	300	200	220	101,6 110	25	1600	16400	130
P.007L	300	260	220	101,6 110	60	1600	16400	130



**PGR.025080L**

**GULLY 250x250,  
GRATING COVER  
OUTLET  $\varnothing$  80 mm**



### Features

Finish: **Sand-blast**

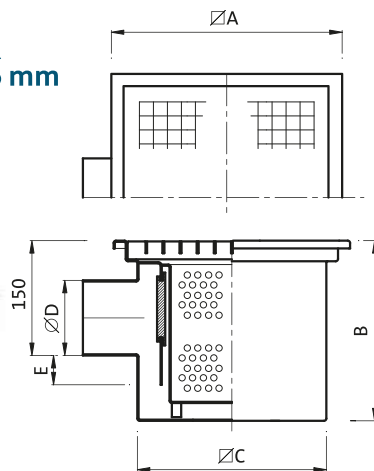
**Standard grating cover: bearing surface 25x3 mesh 22x22.**

**Also available with grating cover in different mesh.**

Item.	Main Measurements (mm)					Capacity (Kg)		Capacity Lt/min.
	$\varnothing$ A	B	$\varnothing$ C	$\varnothing$ D	E	Track of wheels		
PGR.025080L	250	250	215	80	60	80x80	120x120	80

**PGR.030100L**

**GULLY 300x300  
GRATING COVER  
OUTLET  $\varnothing$  101,6 mm**



### Features

Finish: **Sand-blast**

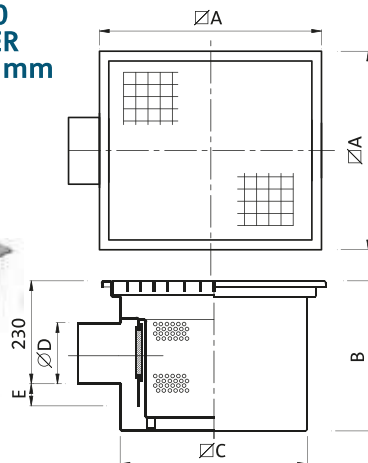
**Standard grating cover: bearing surface 25x3 mesh 22x22.**

**Also available with grating cover in different mesh.**

Item.	Main Measurements (mm)					Capacity (Kg)		Capacity Lt/min.
	$\varnothing$ A	B	$\varnothing$ C	$\varnothing$ D	E	Track of wheels		
PGR.030100L	300	250	265	101,6	60	80x80	120x120	130

**PGR.040154L**

**GULLY 400x400  
GRATING COVER  
OUTLET  $\varnothing$  154 mm**



### Features

Finish: **Sand-blast**

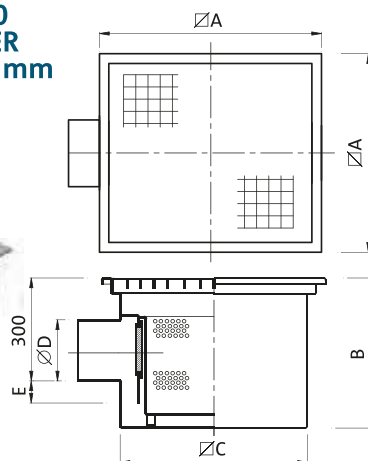
**Standard grating cover: bearing surface 25x3 mesh 22x22.**

**Also available with grating cover in different mesh.**

Item.	Main Measurements (mm)					Capacity (Kg)		Capacity Lt/min.
	$\varnothing$ A	B	$\varnothing$ C	$\varnothing$ D	E	Track of wheels		
PGR.040154L	400	350	365	154	60	80x80	120x120	220

**PGR.050219L**

**GULLY 500x500  
GRATING COVER  
OUTLET  $\varnothing$  219 mm**



### Features

Finish: **Sand-blast**

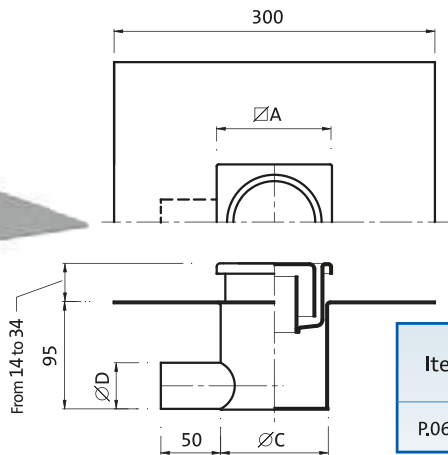
**Standard grating cover: bearing surface 30x3 mesh 22x22.**

**Also available with grating cover in different mesh.**

Item.	Main Measurements (mm)					Capacity (Kg)		Capacity Lt/min.
	$\varnothing$ A	B	$\varnothing$ C	$\varnothing$ D	E	Track of wheels		
PGR.050219L	500	450	465	219	60	80x80	120x120	270

**P.062T** GULLY 100x100  
OUTLET  $\varnothing$  40 mm

**P.070T**



### Features

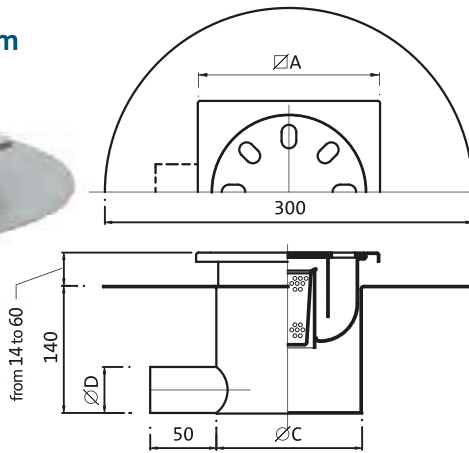
Finish: **Sand-blast**

Also available with or without basket  
and on request round model

Applicable for item **P. 070**

Item.	Main Measurements (mm)					Capacity (Kg)		Outlet capacity Lt/min.
	$\varnothing A$	B	$\varnothing C$	$\varnothing D$	E	Concentrated load	Distributed load	
P.062T	100	Variable	90	40	33	200		12

**P.002T** GULLY 200x200  
OUTLET  $\varnothing$  63,5 mm

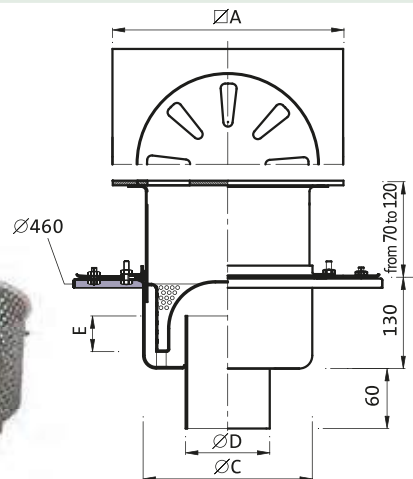


### Features

Finish: **Sand-blast**

Item.	Main Measurements (mm)					Capacity (Kg)		Outlet capacity Lt/min.
	$\varnothing A$	B	$\varnothing C$	$\varnothing D$	E	Concentrated load	Distributed load	
P002T	200	Variable	160	63,5	50	850	4600	46

**P.005T** GULLY 300x300  
OUTLET  
**P.016T**  $\varnothing$  101,6/110 mm



### Features

Finish: **Sand-blast**

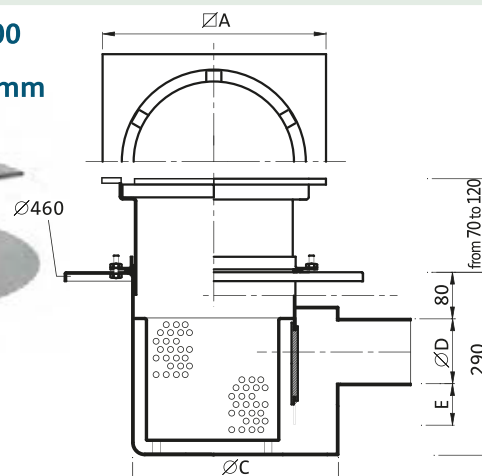
Also available with or without basket and on  
request round model

Different heights if necessary.

Applicable for item **P. 016**

Item.	Main Measurements (mm)					Capacity (Kg)		Outlet capacity Lt/min.
	$\varnothing A$	B	$\varnothing C$	$\varnothing D$	E	Concentrated load	Distributed load	
P005T	300	Variable	220	101,6 110	60	850	6500	130

**P.007T** GULLY 300x300  
OUTLET  
**P.010T**  $\varnothing$  101,6/110 mm



### Features

Finish: **Sand-blast**

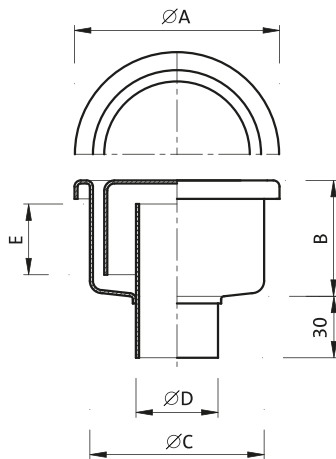
Also available with or without basket and on  
request round model

Different heights if necessary.

Applicable for item **P. 010**

Item.	Main Measurements (mm)					Capacity (Kg)		Outlet capacity Lt/min.
	$\varnothing A$	B	$\varnothing C$	$\varnothing D$	E	Concentrated load	Distributed load	
P.007T	300	Variable	250	101,6 110	60	1600	16400	130

**P.042** GULLY  $\varnothing$  100 mm  
OUTLET  $\varnothing$  40 mm



**Features**

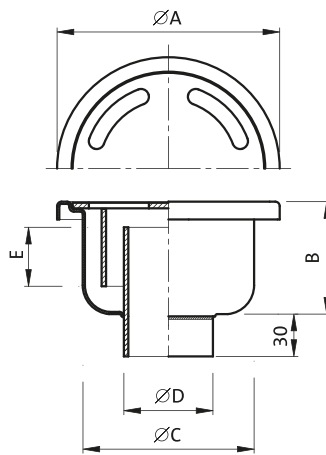
Finish: **Sand-blast** or polished  
**Also available with or without basket.**

**N.B.:**

**Available  $\varnothing$ 150mm version  
outlet  $\varnothing$ 50mm**

Item.	Main Measurements (mm)					Capacity (Kg)		Outlet capacity Lt/min.
	$\varnothing$ A	B	$\varnothing$ C	$\varnothing$ D	E	Concentrated load	Distributed load	
P042	100	56	85	40	33	200	-	12

**P.031** GULLY  $\varnothing$  100 mm  
OUTLET  $\varnothing$  40 mm

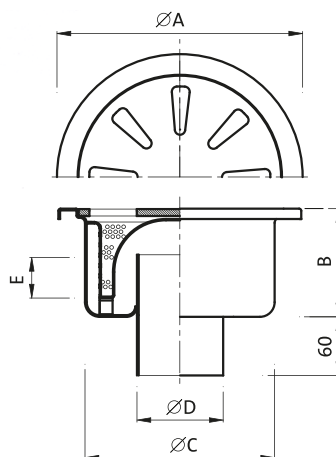


**Features**

Finish: **Sand-blast**  
**Also available with or without basket.**

Item.	Main Measurements (mm)					Capacity (Kg)		Outlet capacity Lt/min.
	$\varnothing$ A	B	$\varnothing$ C	$\varnothing$ D	E	Concentrated load	Distributed load	
P031	100	55	80	40	20	200	-	12

**P.040** GULLY  $\varnothing$  285 mm  
OUTLET  $\varnothing$  101,6/110 mm

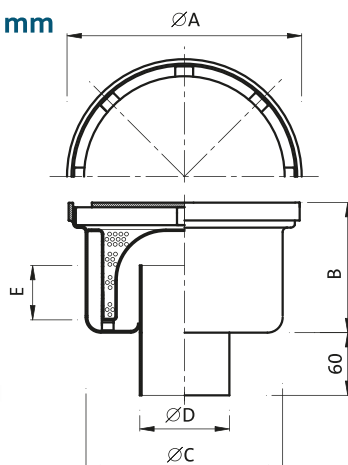


**Features**

Finish: **Sand-blast**  
**Also available with or without basket and  
with cover fastened with a screw.**

Item.	Main Measurements (mm)					Capacity (Kg)		Outlet capacity Lt/min.
	$\varnothing$ A	B	$\varnothing$ C	$\varnothing$ D	E	Concentrated load	Distributed load	
P040	285	130	220	101,6 110	60	950	7500	130

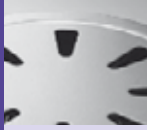
**P.037** REINFORCED GULLY  $\varnothing$  260 mm  
OUTLET  $\varnothing$  101,6/110 mm



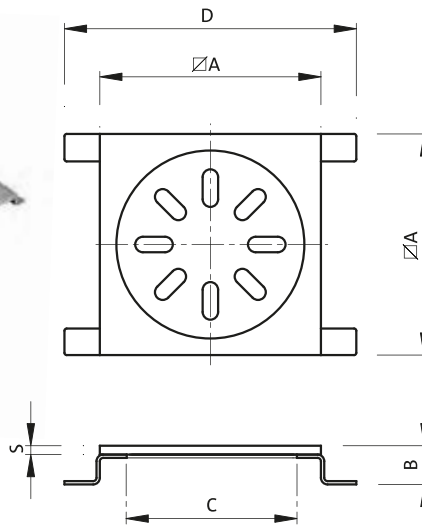
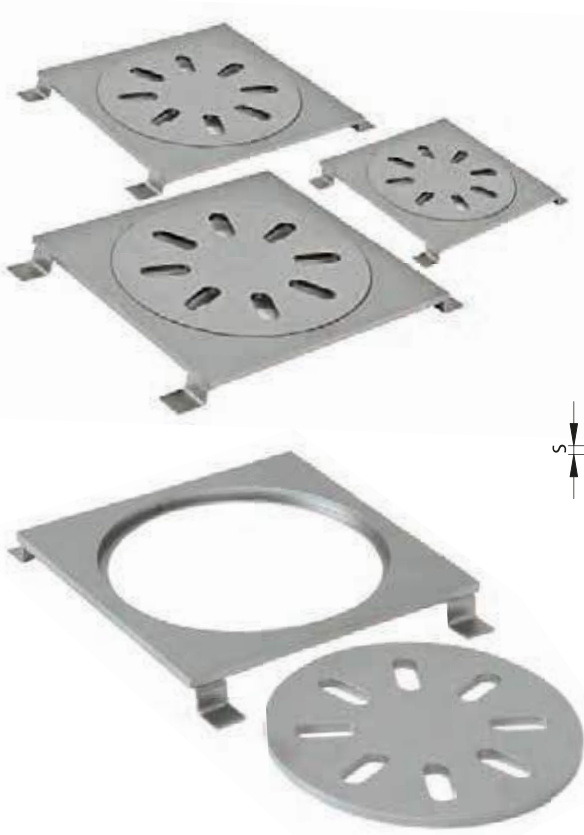
**Features**

Finish: **Sand-blast**  
**Also available with or without basket and  
with cover fastened with a screw.**  
**On request lower version.**  
**Also available with anti-skid version.**

Item.	Main Measurements (mm)					Capacity (Kg)		Outlet capacity Lt/min.
	$\varnothing$ A	B	$\varnothing$ C	$\varnothing$ D	E	Concentrated load	Distributed load	
P037	260	150	220	101,6 110	60	1600	16400	130



## ISP.12x12 LIGHT INSPECTION



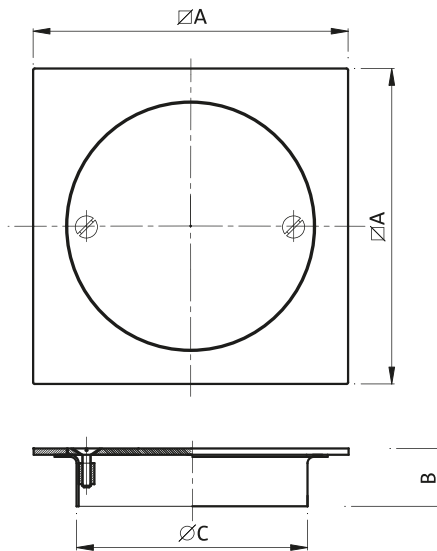
**Features**  
Finish: **Sand-blast**

Item.	Main Measurements (mm)				
	$\varnothing A$	B	$\varnothing C$	D	S
ISP 10x10	100x100	20	80	130	4
ISP 12x12	125x125	20	100	155	4
ISP 15x15	150x150	20	120	180	4

## ISP.3x3 INSPECTION GULLIES



Also available anti-skid version.



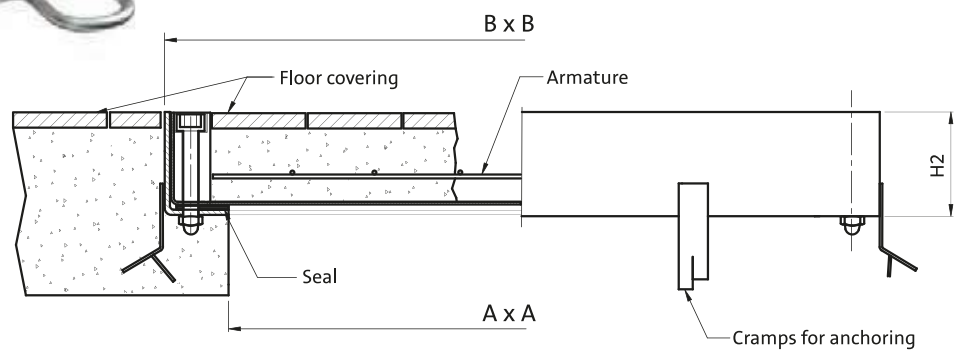
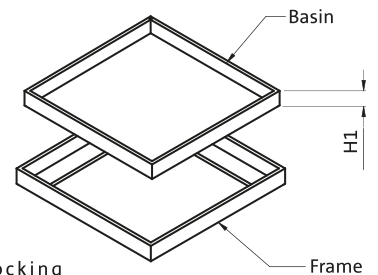
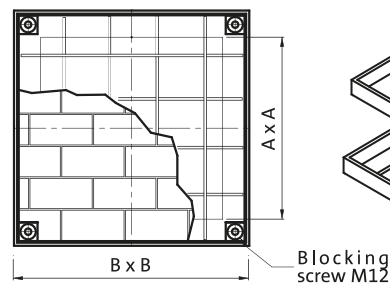
**Features**  
Finish: **Sand-blast.**  
**Also available with surface anti-skid.**  
**With screws, without seals.**



Item.	Main Measurements (mm)			Capacity (Kg)	
	$\varnothing A$	B	$\varnothing C$	Concentrated load	Distributed load
ISP 2x2	200	100	154	1000	5000
ISP 3x3	300	100	215	1000	5000
ISP 4x4	400	100	315	900	3500
ISP 5x5	500	100	425	800	3000
ISP 6x6	600	100	495	750	2800

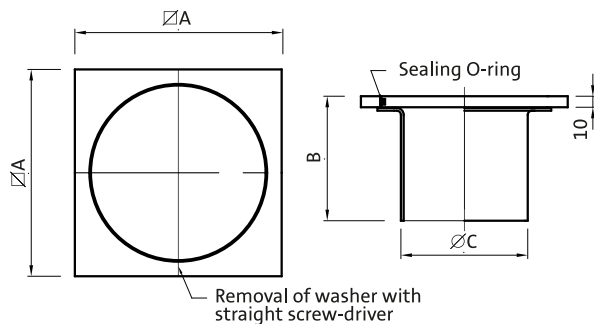


**CT.400** INSPECTIONS  
FRAME WATER  
TIGHT



Item.	Main Measurements (mm)				Capacity (Kg)
	AxA	BxB	H1	H2	Concentrated load track of wheels 150x150
CT.300	300x300	400x400	72	80	Kg. 5400
CT.400	400x400	500x500	72	80	Kg. 3600
CT.500	500x500	600x600	72	80	Kg. 2400
CT.600	600x600	700x700	72	80	Kg. 1500
CT.700	700x700	800x800	72	80	Kg. 1200
CT.800	800x800	900x900	72	80	Kg. 900

**CLO 15x15**



**Features**

Finish: **Sand-blast**  
Also available in round version.

Item	Main Measurements (mm)		
	$\varnothing A$	B	$\varnothing C$
CLO 10x10	100	100	75 / 80
CLO 15x15	150	100	100 / 110

**SPECIAL APPLICATIONS**

**GULLIES WITH FLANGE FOR INSULATION**



**Notes:**

On all standard and lower models, with vertical or horizontal discharge.  
On all unions it is possible to have an upper flange with screws for securing the insulation.

**GULLIES WITH PIPE UNION**



**Notes:**

On all standard and lower models, with vertical discharge.  
Also possible to have an upper flange with screws for securing the insulation.

**GULLIES WITH FRAME**



**Notes:**

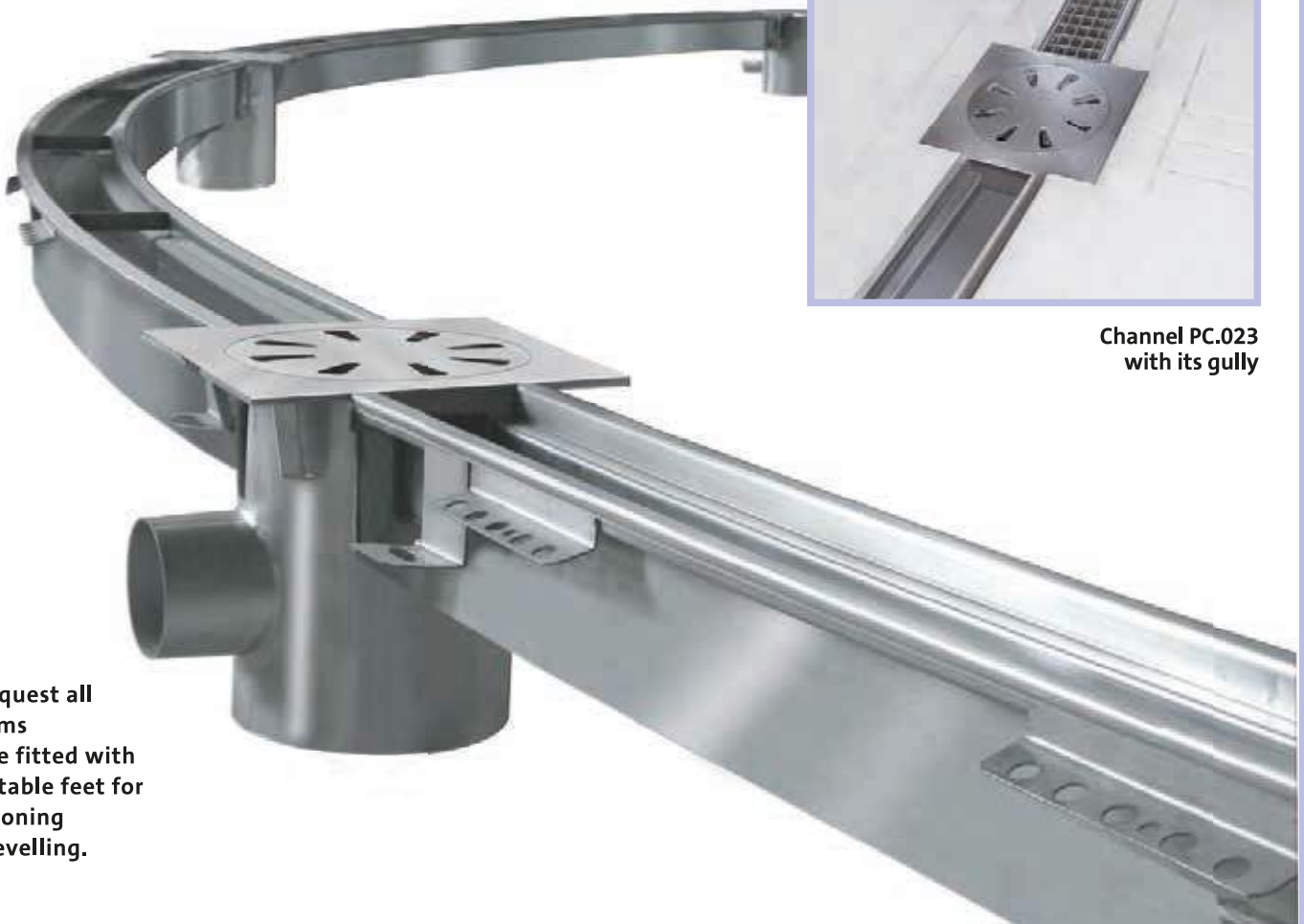
On all models with plate surface, in standard or lower versions with vertical discharge.

Our company always gives priority to meeting fully the needs of our clients, and for this reason during the course of the last few years in responding to them we have been able to develop specific products, as in this case, channels with a curvilinear profile.

There are no reference parameters as each type of channel is capable of being individually shaped.



Channel PC.023  
with its gully



**N.B.:**  
On request all  
systems  
can be fitted with  
adjustable feet for  
positioning  
and levelling.



Example of PC.001 channel and PC110 channel with related gully

**PC.001**

Slot channels is the ideal solution for the drainage of industrial flooring of all types.

Manufactured entirely of AISI 304 stainless steel (or AISI 316 on request), combined with 300 x 300 mm collection gullies they are easily washed and inspected and the aspects of hygiene and cleanliness are provided for in compliance with Community regulations.

Protection from sewerage discharge is ensured by an anti-smell siphon and by a removable filter basket.

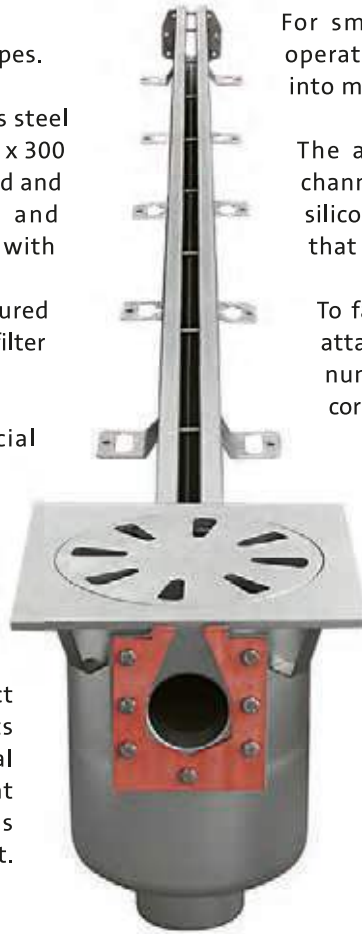
Their structure, thanks also to the special cramps for anchoring in concrete make the channel especially tough in situations with high levels of flow-rate.

The construction of these systems is carried out completely in accordance with the requirements of the customer with one of our support technicians; in fact every quotation will be provided with its associated drawing showing the principal technical characteristics. In the event that the supply is for large quantities the various modules can be supplied in lengths of 6.00 mt.

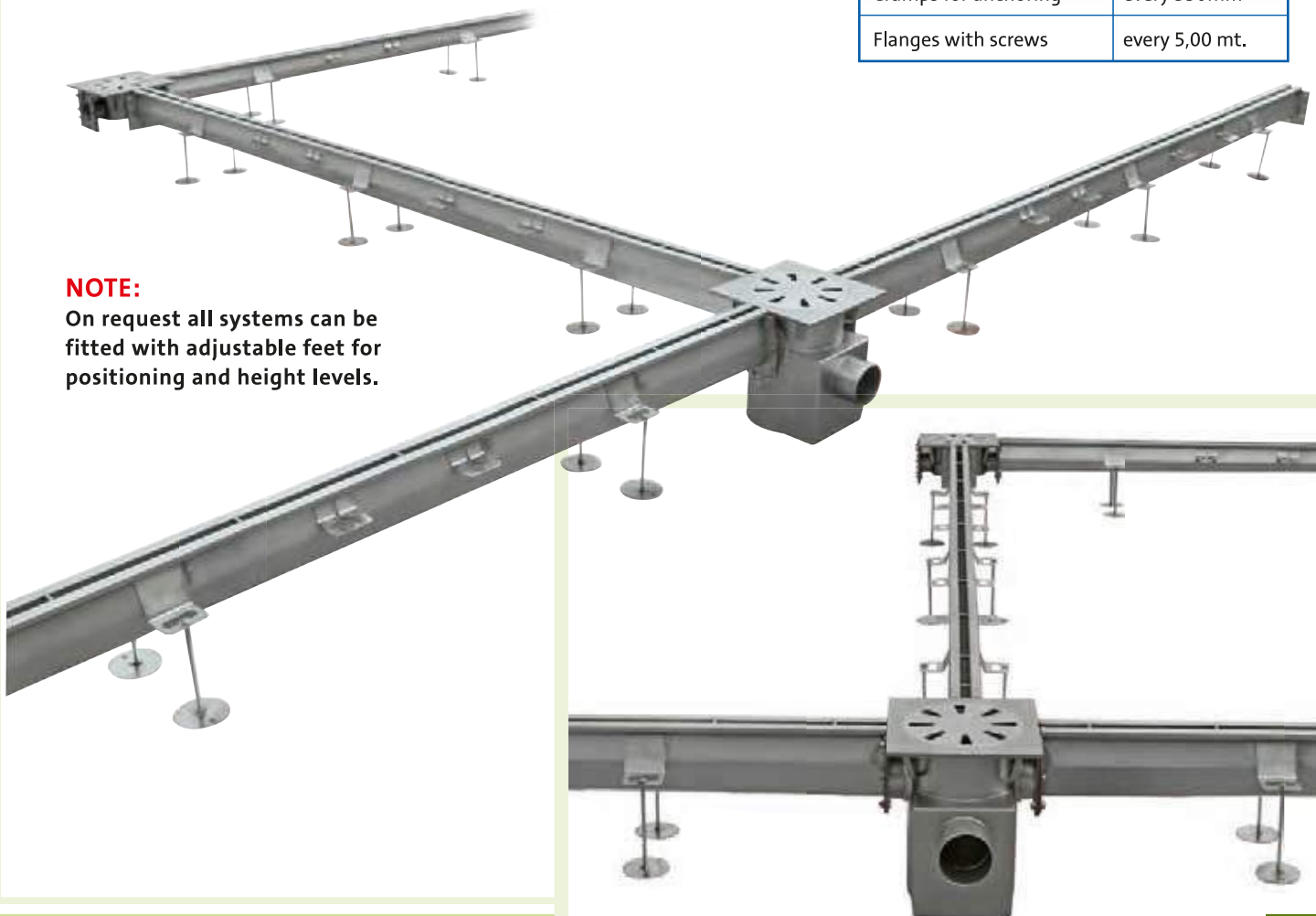
For small supplies, to optimise the transport operations, the various pieces can be assembled into maximum lengths of 4.00 mt.

The assembly of the various gullies and the channels is provided for by means of flanges with silicon seals that are secured with bolts to ensure that they remain water-tight.

To facilitate the installation, a drawing will be attached to the material showing a system of numbering for installation of the pieces in the correct sequence.



Main features	
Channel width	70mm
Channel slot	18mm
Thickness of material	2mm (3mm on request)
Drainage slope	0,5% (5mm per linear metre)
Minimum height	70mm
Maximum height	220mm (30 metres)
Max. transport length	5,00 mt.
Spacing rods	every 330mm
Cramps for anchoring	every 330mm
Flanges with screws	every 5,00 mt.



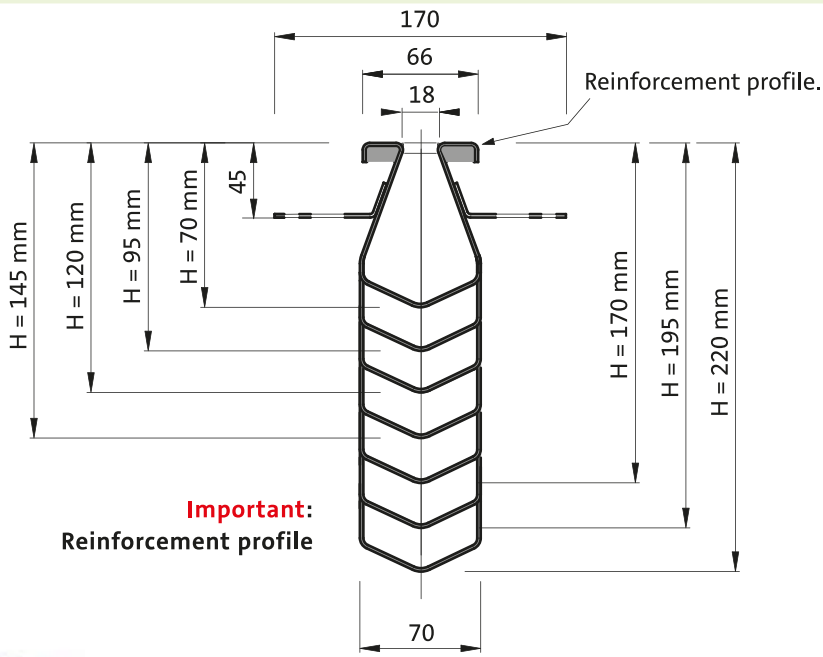
**NOTE:**

On request all systems can be fitted with adjustable feet for positioning and height levels.



PC.001

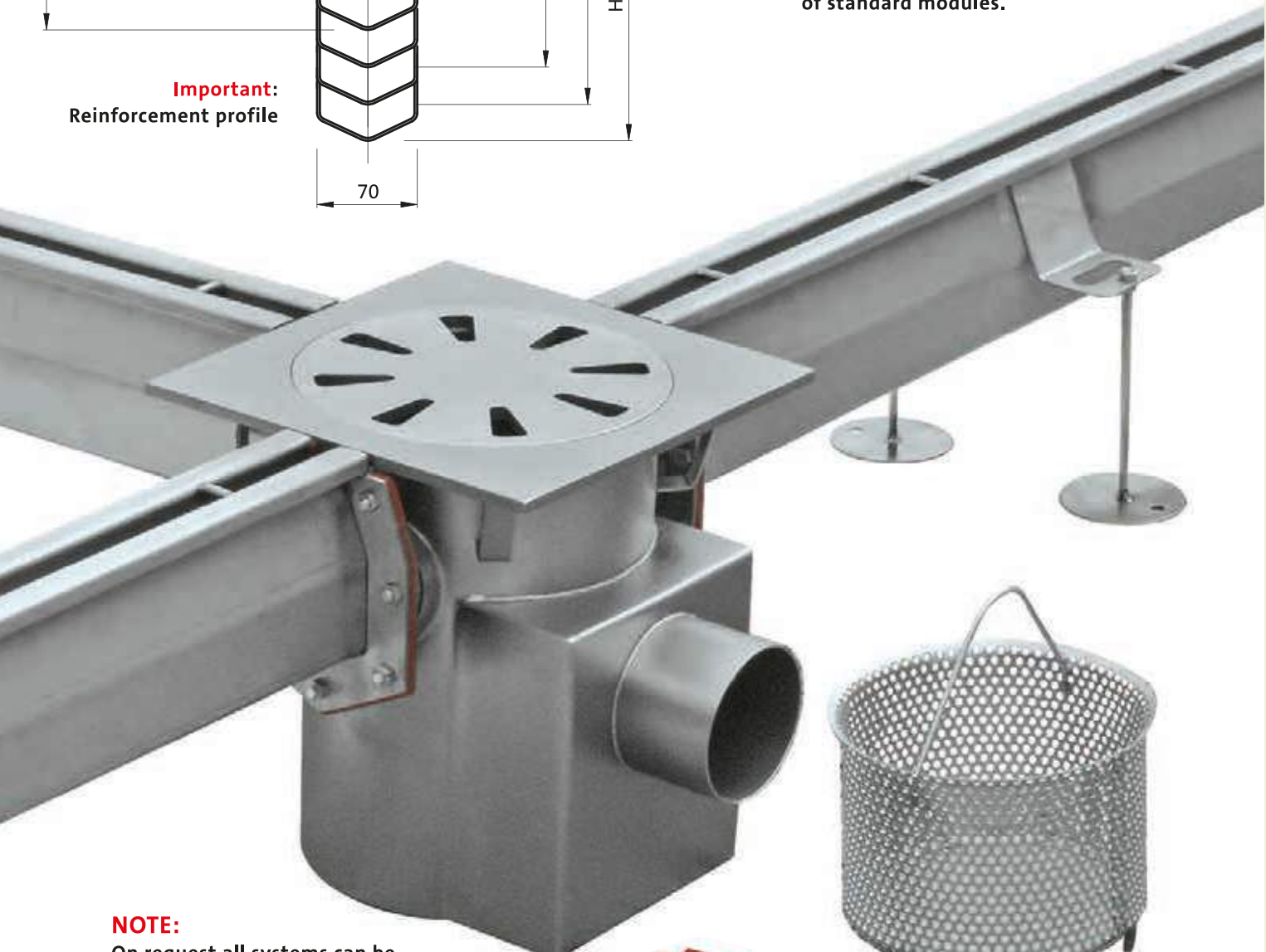




Section of the channel with a sequence of the variation of the slope up to 30.00 mt; the heights are with reference to module lengths of 5.00 mt. Obviously in the warehouse there are modules with lengths other than 5.00 mt. For example, 1.00 mt, 1.50 mt, 2.00 mt, 2.50 mt, 3.00 mt, 3.50 mt, 4.00 mt, and 4.50 mt.

**NOTE:** Work is regularly carried out with totally personalised lengths taking no account of standard modules.

**Important:**  
Reinforcement profile



**NOTE:**  
On request all systems can be fitted with adjustable feet for positioning and height levels.

Stainless steel bolts and screws.

Keys for mounting

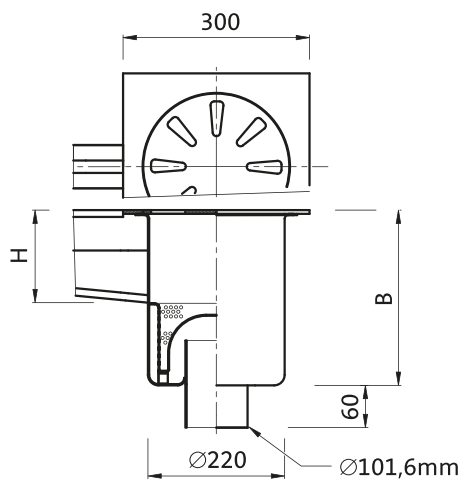
Silicon seals for flanges.



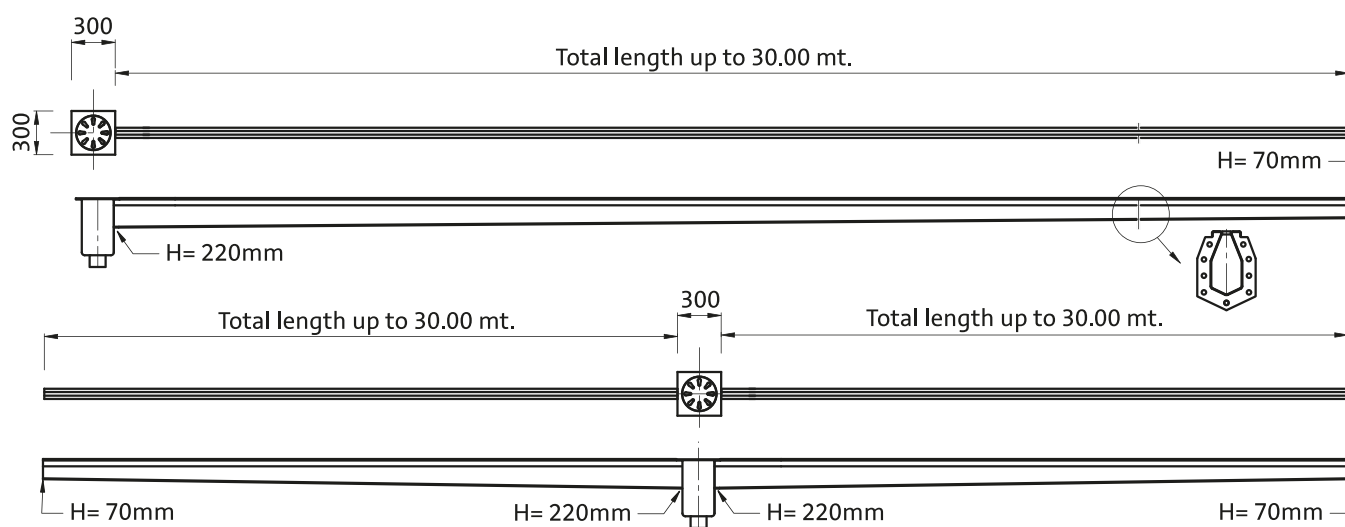
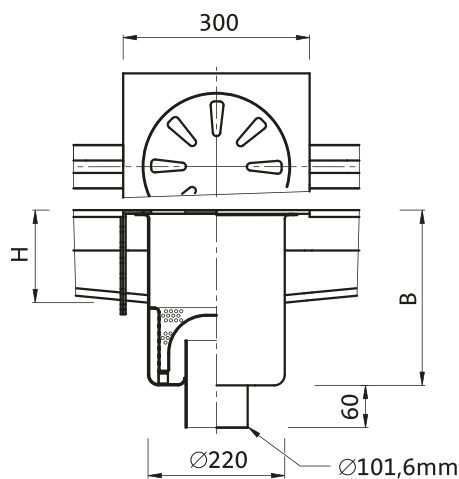
**NOTE:**

On request all systems can be fitted with adjustable feet for positioning and height levels.

**PC.002V** GULLY SINGLE CONNECTION WITH VERTICAL DISCHARGE



**PC.003V** GULLY DOUBLE CONNECTION WITH VERTICAL DISCHARGE



**NOTE:**

All systems are produced in accordance with the requirements of the customer, hence parameters such as length and position of the discharges are not binding.

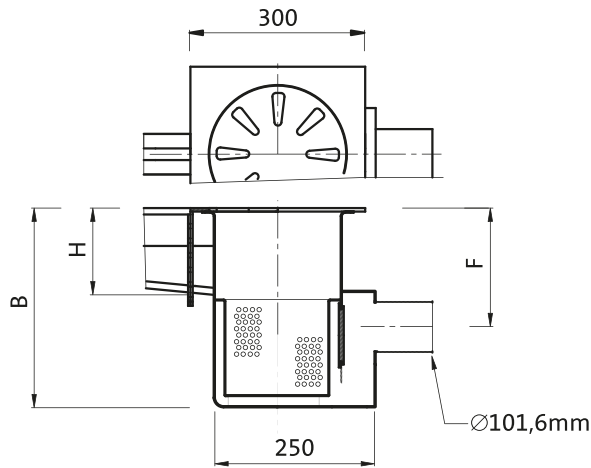
Channel length	Channel height "H" on the gully	Size "B"
Up to MT. 5,00	95mm	265mm
From MT. 5 to MT. 10	120mm	290mm
From MT. 10 to MT. 15	145mm	315mm
From MT. 15 to MT. 20	170mm	340mm
From MT. 20 to MT. 25	195mm	365mm
From MT. 25 to MT. 30	220mm	390mm



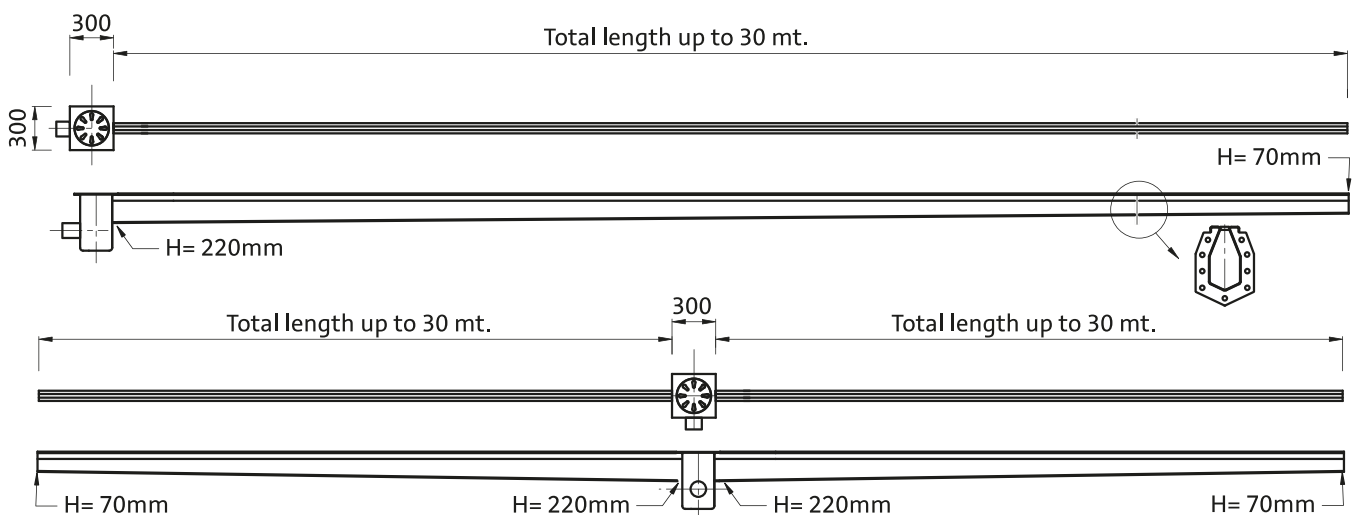
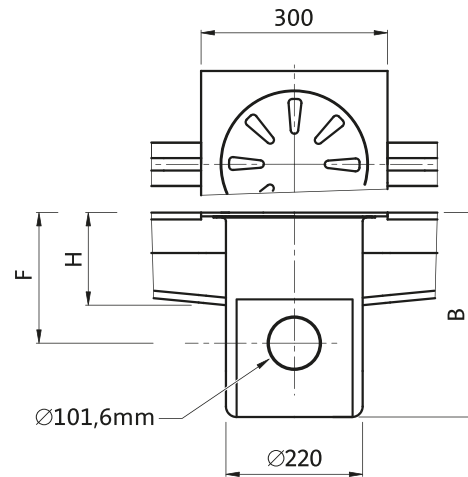
**NOTE:**

On request all systems can be fitted with adjustable feet for positioning and height levels.

**PC.002L** GULLY WITH SINGLE CONNECTION FOR CHANNEL, HORIZONTAL DISCHARGE.



**PC.003L** GULLY WITH DOUBLE CONNECTION FOR CHANNEL, HORIZONTAL DISCHARGE.



**NOTE:**

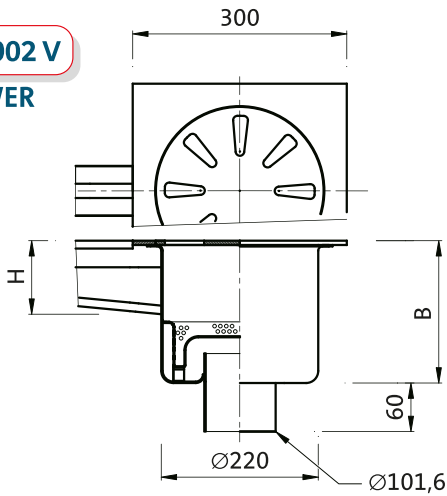
All systems are produced in accordance with the requirements of the customer, hence parameters such as length and position of the discharges are not binding.

Channel length	Channel height "H" on the gully	Size "B"	Middle discharge depth "F"
Up to MT. 5,00	95mm	280mm	130mm
From MT. 5 to MT. 10	120mm	305mm	155mm
From MT. 10 to MT. 15	145mm	330mm	180mm
From MT. 15 to MT. 20	170mm	355mm	205mm
From MT. 20 to MT. 25	195mm	380mm	230mm
From MT. 25 to MT. 30	220mm	405mm	255mm

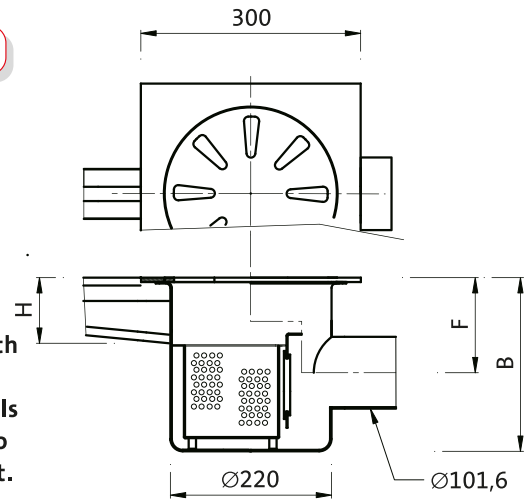


Especially for situations with problems of height on the footings it is possible to opt for lower gullies both with vertical or horizontal discharges, sizeable according to the length of the channel.

**PC.002 V**  
**LOWER**



**PC.002 L**  
**LOWER**



**NOTE:**  
Example of gullies with the least depth achievable for channels with lengths of up to 5.00 mt and 10.00 mt.



**NOTE:**  
If necessary is possible to do more low.

Channel length	Channel height "H" on gully	Size "B"
Up to MT. 5,00	95mm	210mm
From MT. 5 fino a MT. 10	120mm	235mm

Channel length	Channel height "H" on gully	Size "B"	Middle discharge depth "F"
Up to MT. 5,00	95mm	230mm	100mm
From MT. 5 fino a MT. 10	120mm	255mm	125mm

## SPECIAL APPLICATIONS



On request the pipes below the channel with its associated connections and mounted using flanges and seals can be made with stainless steel.



Particularly small channels made of 2 mm thick AISI 304 stainless steel for the drainage of water from balconies and terraces. The feature of a removable cover also makes it very convenient when it comes to cleaning. They are fitted with flanges along the perimeter to provide a perfect seal with the sealing gasket.

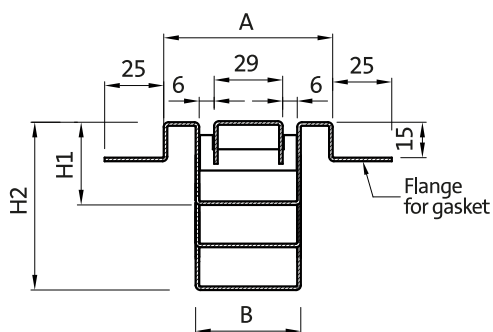
The discharges are fitted at the points requested with either horizontal or vertical pipes, that in turn are connected to the drain wells. Manufacture is tailored to each client's needs.

### Main features

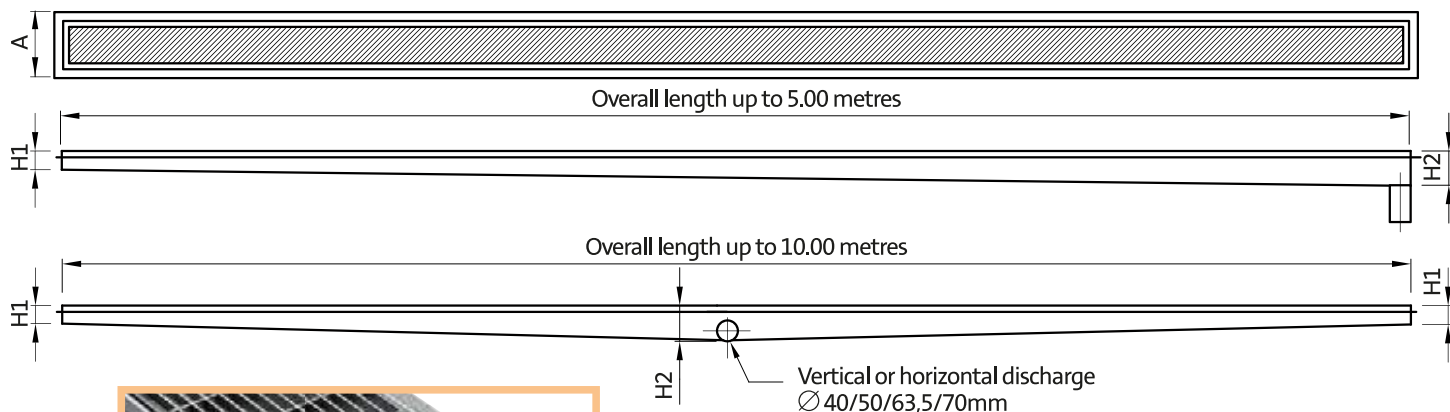
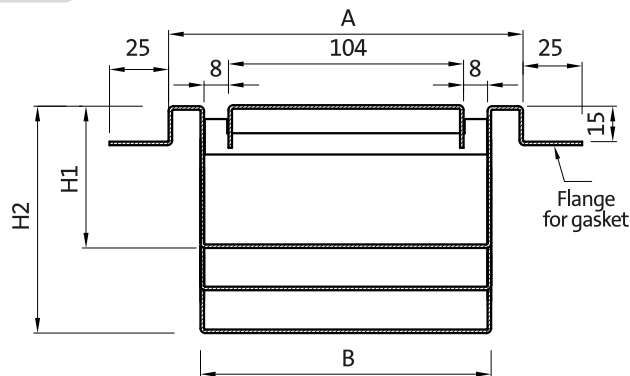
- Thickness of channel: .....2mm
- Thickness of cover: .....3mm
- Minimum height: .....H1 = 35mm (Art. CB.070)  
H1 = 60mm (Art. CB.150)
- Maximum height: .....H2 = 70mm (Art. CB.070)  
H2 = 95mm (Art. CB.150)
- Rate of fall: .....7mm/metre

- Piece lengths up to 5.00 metres with slope in a single direction and end discharge.
- Piece lengths up to 10.00 metres with dual slope. Centre discharge.
- In addition the 5.00 metre lengths have flanges with gaskets and screws

### CB.070 CB.070 WITH Ø 40/50 mm DIAMETER.



### CB.150 CB.150 WITH Ø 40/50/63.5/70 mm



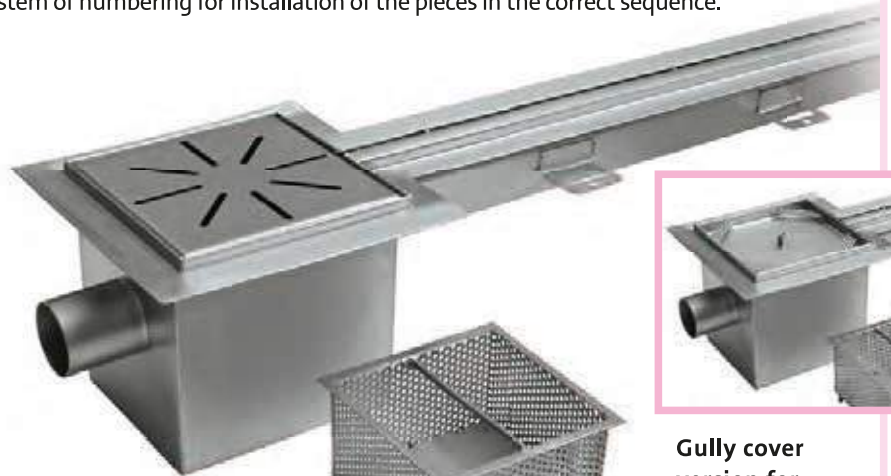
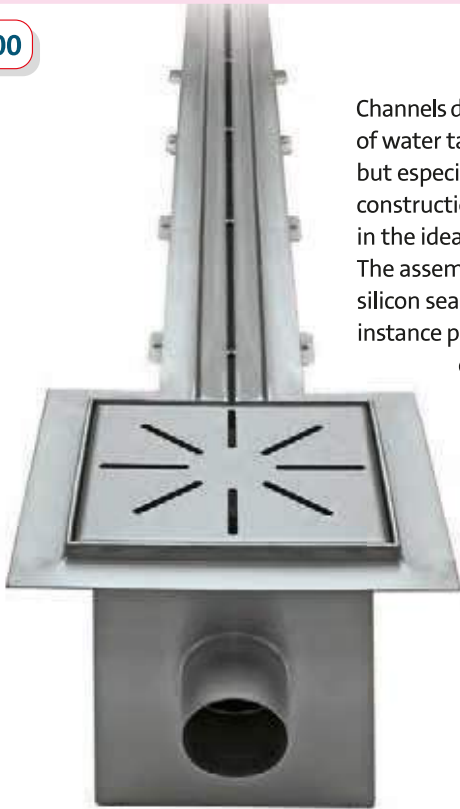
Manufactured with flat edged channels and grille covers for greater drainage of water

Item	Principal dimensions (mm)			
	Width A	Width B	H1	H2
CB.070	71	45	35	70
CB.150	150	124	60	95

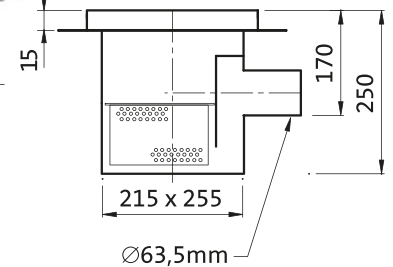
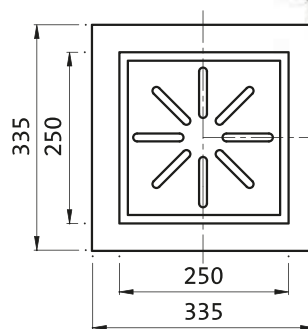
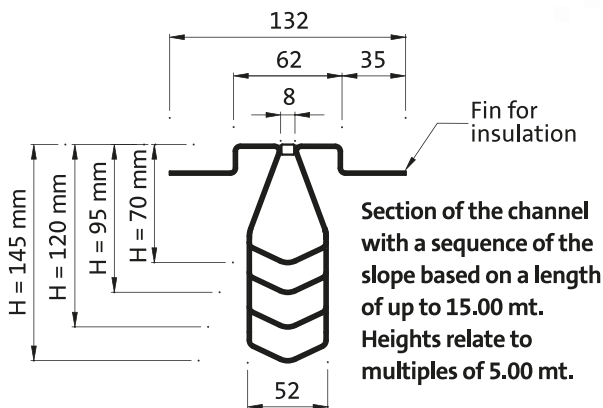
PC.100

Channels designed specifically for swimming pools, changing rooms, shower rooms; the discharge of water takes place through a narrow slot of up to 8 mm. They are constructed in AISI 304, but especially also in AISI 316 for use in environments with high levels of chlorine. Their constructional form with perimeter wings makes it possible to secure the insulating material in the ideal way. The inspection gullies have a siphon and are equipped with a filter basket. The assembly of the various gullies and the channels is provided for by means of flanges with silicon seals that are secured with bolts to ensure that they remain water-tight. Even in this instance parameters such as length, height, position of the discharges, can be varied depending on individual requirements.

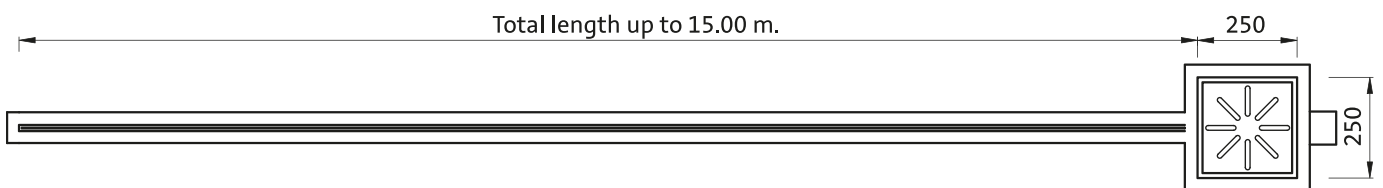
To facilitate the installation, the materials are provided with a drawing showing a system of numbering for installation of the pieces in the correct sequence.



Gully cover version for flooring



Total length up to 15.00 m.



H = 70mm

H = 145mm

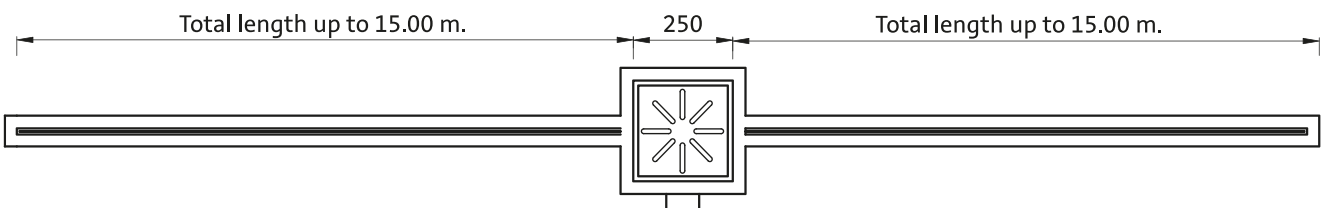
215 x 255

80

Total length up to 15.00 m.

250

Total length up to 15.00 m.

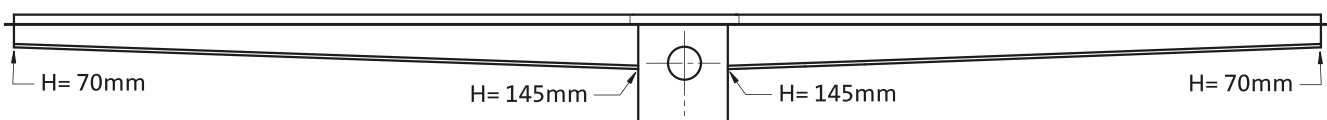


H = 70mm

H = 145mm

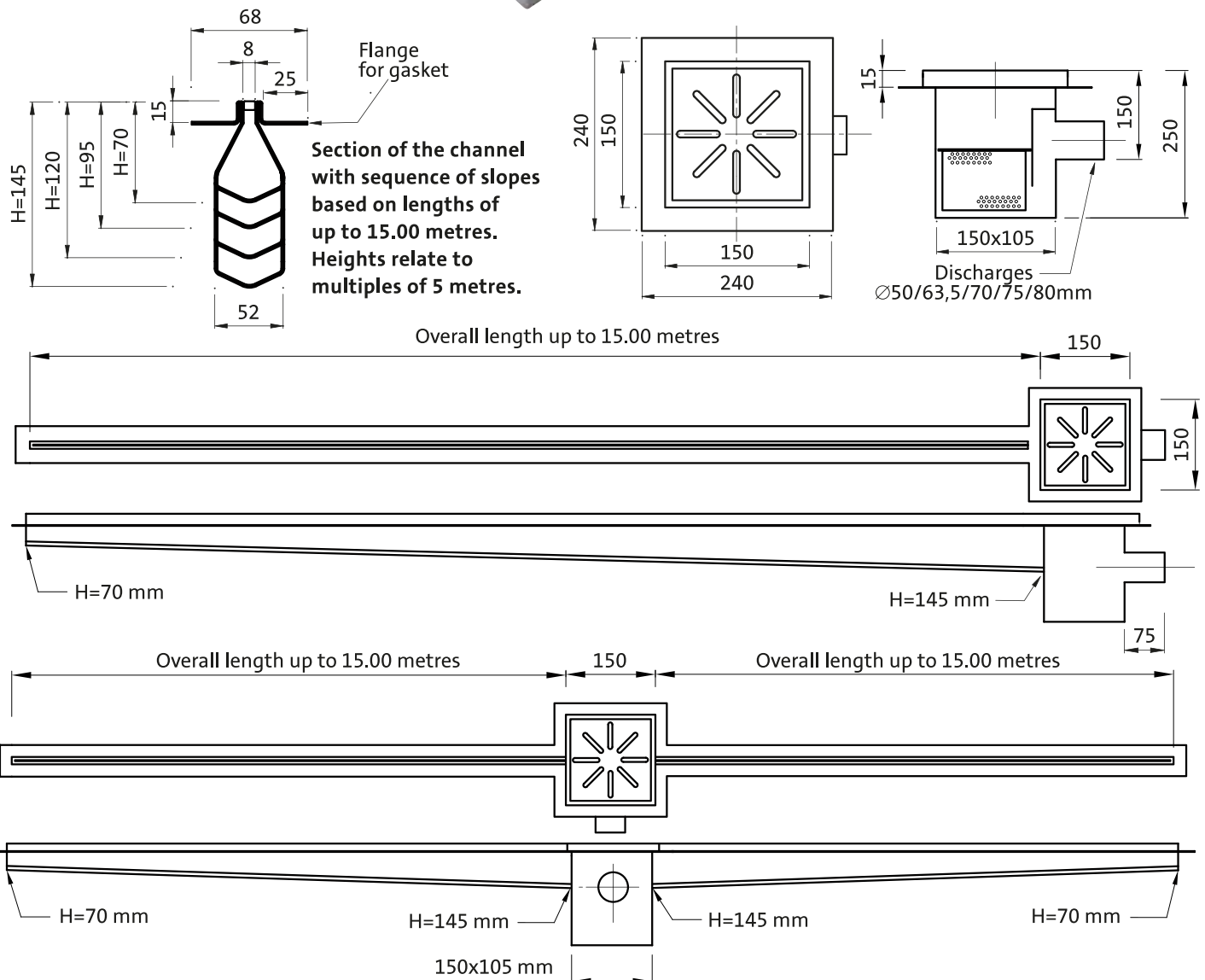
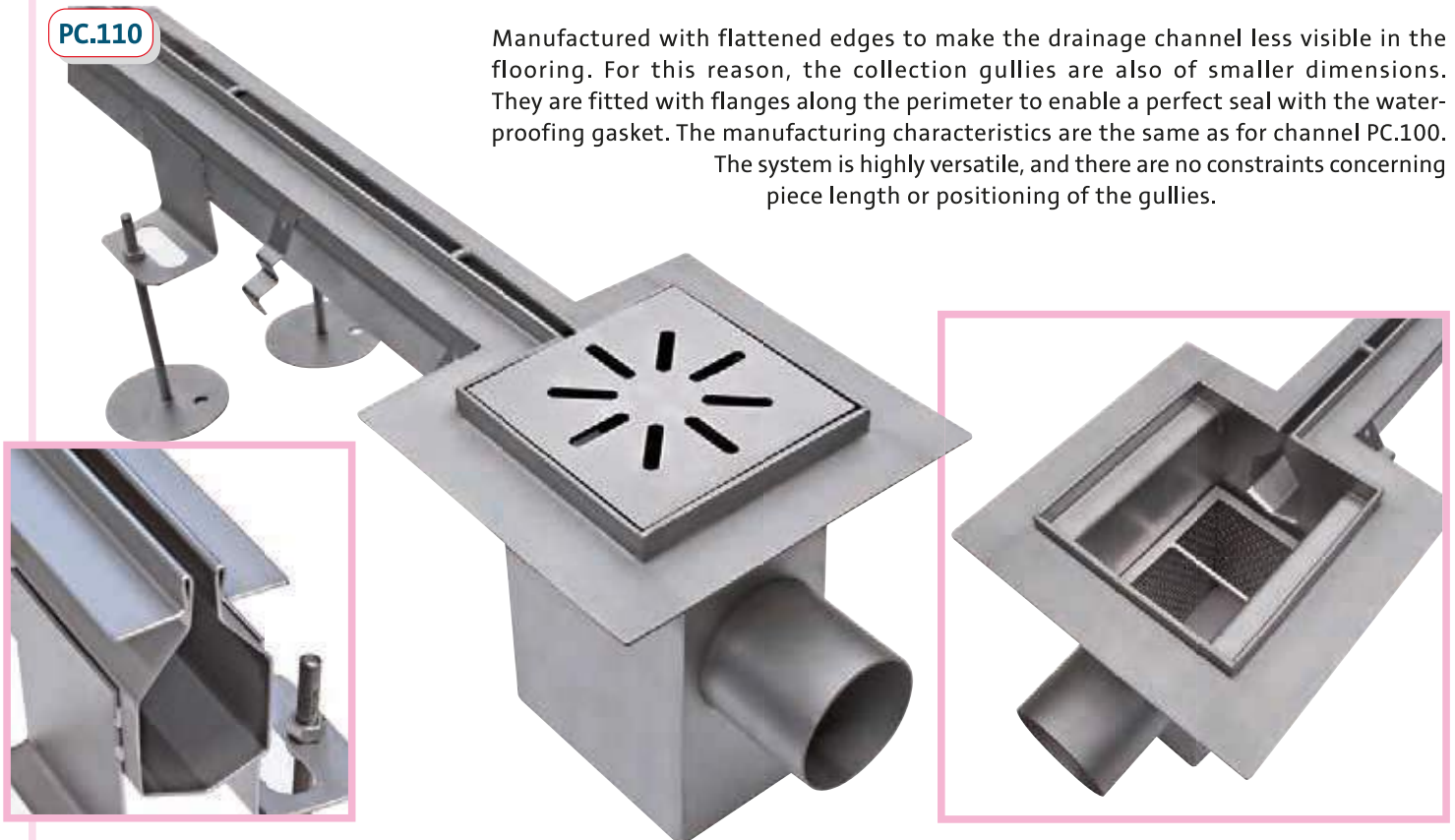
H = 145mm

H = 70mm

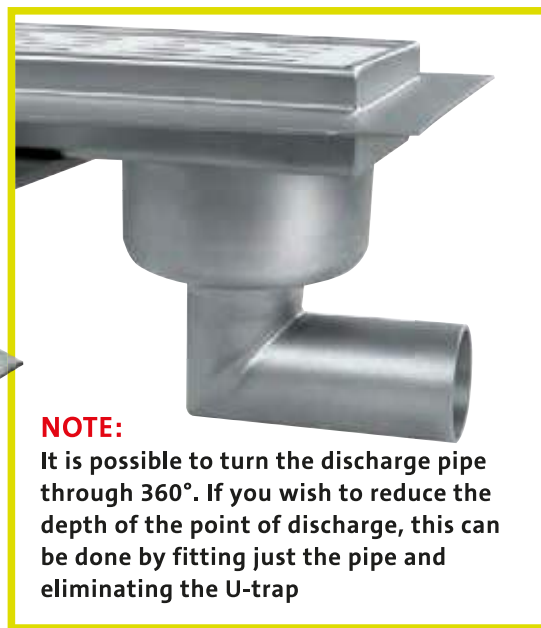


**PC.110**

Manufactured with flattened edges to make the drainage channel less visible in the flooring. For this reason, the collection gullies are also of smaller dimensions. They are fitted with flanges along the perimeter to enable a perfect seal with the waterproofing gasket. The manufacturing characteristics are the same as for channel PC.100. The system is highly versatile, and there are no constraints concerning piece length or positioning of the gullies.







**NOTE:**

It is possible to turn the discharge pipe through 360°. If you wish to reduce the depth of the point of discharge, this can be done by fitting just the pipe and eliminating the U-trap

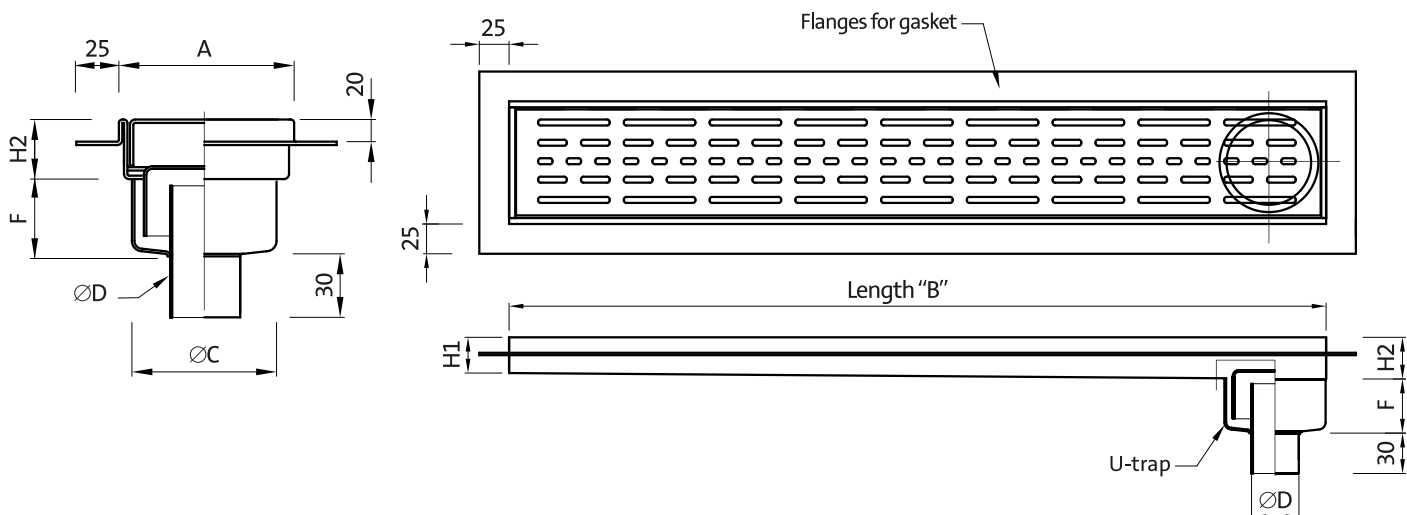


Designed for water drainage from all kinds of shower areas, for private use rather than in spas, fitness centres or sports facilities.

Manufactured in 2mm thick AISI 304 (or AISI 316) stainless steel, they are fitted with flanges along the perimeter to enable a perfect seal to the waterproofing gasket.

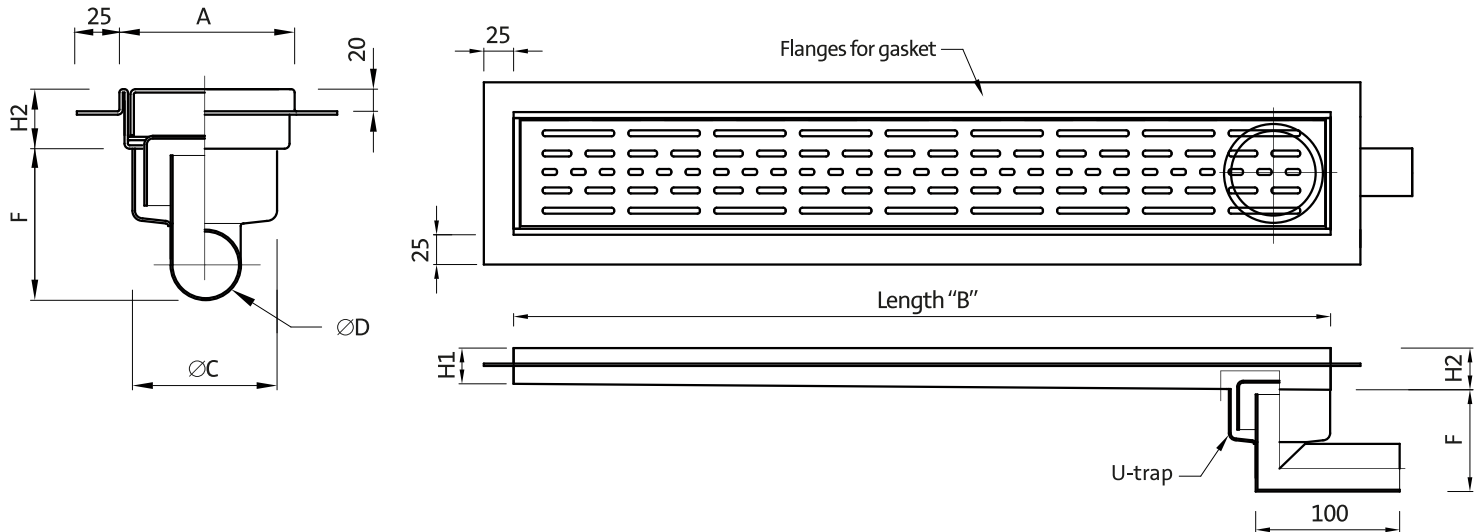
The cover can be tailored as can the length and the positioning of the discharges.

The standard dimensions are shown in the table.



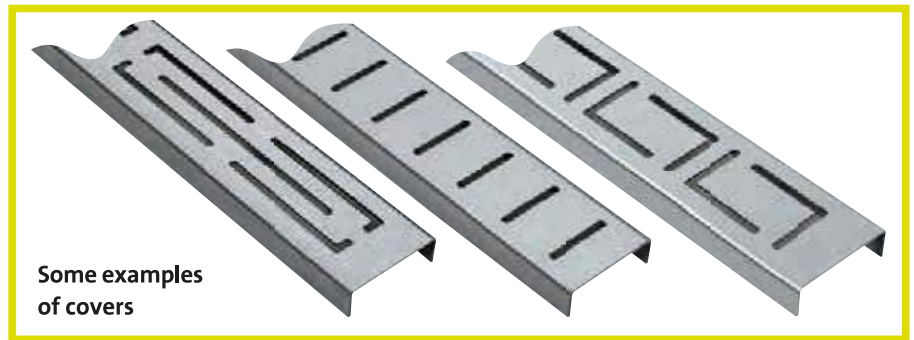
Principal dimensions (mm)						
Item	dim "A"x "B"	Alt. "H1"	Alt. "H2"	ØC	F	ØD
CDC.13400V	130x400mm	25	30	110	65	Ø50mm
CDC.13500V	130x500mm	25	30	110	65	Ø50mm
CDC.13600V	130x600mm	25	30	110	65	Ø50mm
CDC.13700V	130x700mm	25	30	110	65	Ø50mm
CDC.13800V	130x800mm	25	30	110	65	Ø50mm
CDC.13900V	130x900mm	25	30	110	65	Ø50mm
CDC.131000V	130x1000mm	25	30	110	65	Ø50mm

Principal dimensions (mm)						
Item	dim "A"x "B"	Alt. "H1"	Alt. "H2"	ØC	F	ØD
CDC.10400V	103x400mm	25	30	85	45	Ø40mm
CDC.10500V	103x500mm	25	30	85	45	Ø40mm
CDC.10600V	103x600mm	25	30	85	45	Ø40mm
CDC.10700V	103x700mm	25	30	85	45	Ø40mm
CDC.10800V	103x800mm	25	30	85	45	Ø40mm
CDC.10900V	103x900mm	25	30	85	45	Ø40mm
CDC.101000V	103x1000mm	25	30	85	45	Ø40mm



Principal dimensions (mm)						
Item	dim "A"x "B"	Alt. "H1"	Alt. "H2"	ØC	F	ØD
CDC.13400L	130x400mm	25	30	110	125	Ø50mm
CDC.13500L	130x500mm	25	30	110	125	Ø50mm
CDC.13600L	130x600mm	25	30	110	125	Ø50mm
CDC.13700L	130x700mm	25	30	110	125	Ø50mm
CDC.13800L	130x800mm	25	30	110	125	Ø50mm
CDC.13900L	130x900mm	25	30	110	125	Ø50mm
CDC.131000L	130x1000mm	25	30	110	125	Ø50mm

Principal dimensions (mm)						
Item	dim "A"x "B"	Alt. "H1"	Alt. "H2"	ØC	F	ØD
CDC.10400L	103x400mm	25	30	85	95	Ø40mm
CDC.10500L	103x500mm	25	30	85	95	Ø40mm
CDC.10600L	103x600mm	25	30	85	95	Ø40mm
CDC.10700L	103x700mm	25	30	85	95	Ø40mm
CDC.10800L	103x800mm	25	30	85	95	Ø40mm
CDC.10900L	103x900mm	25	30	85	95	Ø40mm
CDC.101000L	103x1000mm	25	30	85	95	Ø40mm



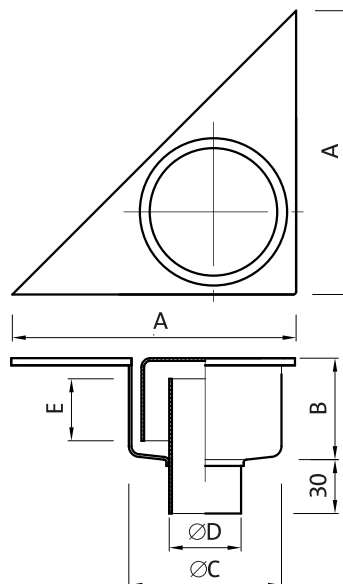
## SHOWER WASTE

**P.062D**



**Features**

Finish: Sand-blast  
Also in reduced height version, option of side discharge.



Item	Principal dimensions (mm)					Discharge flow-rate Lt/min.
	∇A	B	ØC	ØD	E	
P.062D	155	56	85	40	33	12
P.070D	230	75	126	50	33	38

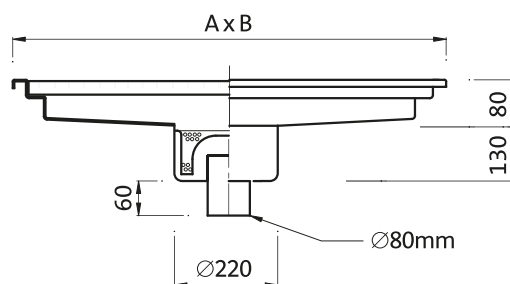
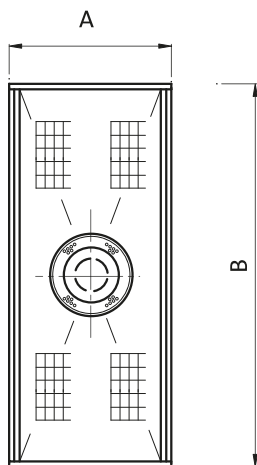
**VGR.30100 SV**

In AISI 304 (or AISI 316 on request) and made in such a way as to limit the height occupied as much as possible, the completely inspectable discharges, equipped with siphons and filter baskets are perfectly integrated within the channel itself; obviously it is possible to have different sizes from those indicated in the table.

Made especially for the restaurant sector and hence used particularly in kitchens, hotels or large scale distribution meat and fish packing rooms. Being of large size, they allow large quantities of water to be drained, above all, preventing its dispersal over the floor.

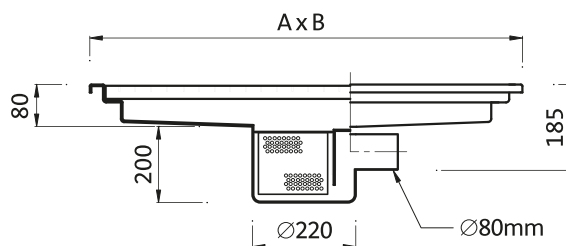
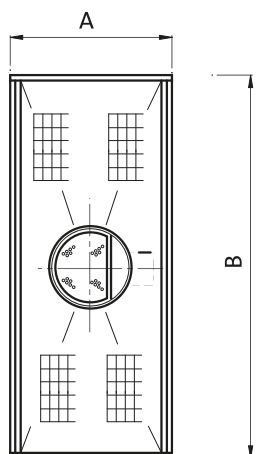


**VERTICAL DISCHARGE**



**NOTE:**  
Standard grating covers  
Height H=25mm  
Mesh 22x33mm.  
Also with discharge Ø50 - Ø63,5 - Ø76mm

**HORIZONTAL DISCHARGE**



Item	Size. "A" x "B"
VGR.3050	300x500mm
VGR.30100	300x1000mm
VGR.30150	300x1500mm
VGR.30200	300x2000mm
VGR.30300	300x3000mm

Item	Size. "A" x "B"
VGR.4040	400x400mm
VGR.40100	400x1000mm
VGR.40150	400x1500mm
VGR.40200	400x2000mm
VGR.40300	400x3000mm

Item	Size. "A" x "B"
VGR.5050	500x500mm
VGR.50100	500x1000mm
VGR.50150	500x1500mm
VGR.50200	500x2000mm
VGR.50300	500x3000mm

**NOTE:**  
When ordering, after the code specify the extension  
SL=horizontal discharge  
SV=vertical discharge  
e.g.: VGR.30100 SL, VGR. 30100 SV.

## PC.023

They represent an excellent solution where a channel with a high drainage capacity is called for together with the functionality of a grating cover enabling them to be inspected throughout.

Combined with 300 x 300 mm collection gullies, the same as the PC.001 slot channel systems, they are easily washed and inspected and the aspects of hygiene and cleanliness are provided for in compliance with Community regulations. Protection from sewerage discharge is ensured by an anti-smell siphon and by a removable filter basket.

Constructed in AISI 304 stainless steel (or AISI 316 on request) parameters such as length, height, position of the discharges, can be varied depending on individual requirements.

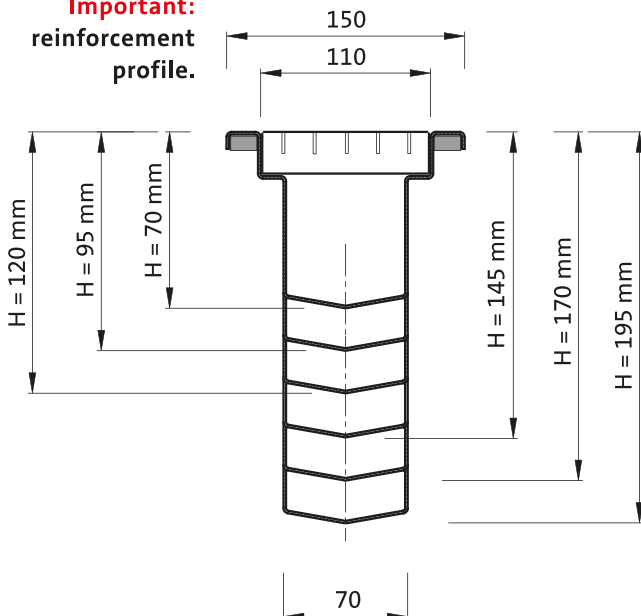
For small supplies, to optimise the transport operations, the various pieces can be assembled into maximum lengths of 4.00 mt.

To facilitate the installation, a drawing will be attached to the material showing a system of numbering for installation of the pieces in the correct sequence.



Main features	
Channel width on the floor	150mm
Inside channel width	70mm
Thickness of material	2mm (3mm on request)
Drainage slope	0,5% (5mm per linear metre)
Minimum height	70mm
Maximum height	195mm (30 metres)
Max. transport length	5.00 mt.
Cramps for anchoring	every 330mm
Flanges with screws	every 5.00 mt.

**Important:**  
reinforcement  
profile.



Section of the channel with a sequence of the variation of the slope up to 25.00 mt; the heights are with reference to module lengths of 5.00 MT. From MT. 1,00, MT. 1,50, MT. 2,00, MT. 2,50, MT. 3,00, MT. 3,50, MT. 4,00, MT. 4,50.

**NOTE:** Work is regularly carried out with totally personalised lengths taking no account of standard modules.

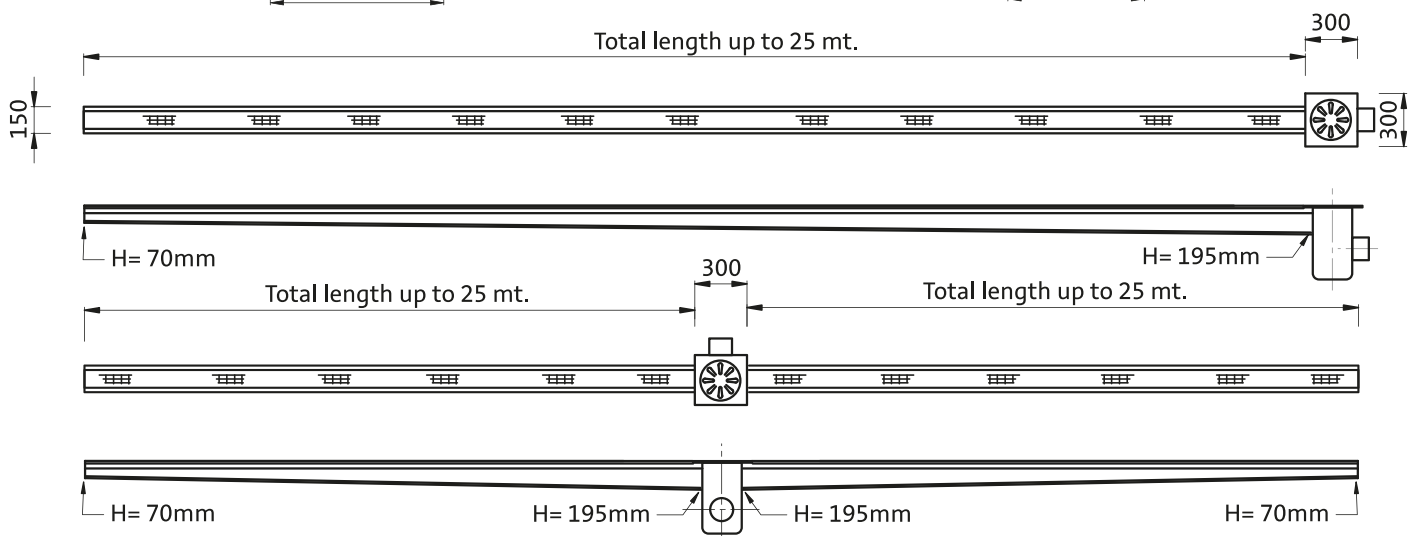
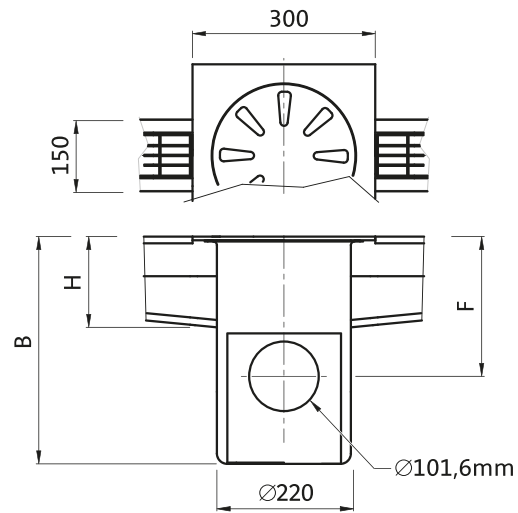
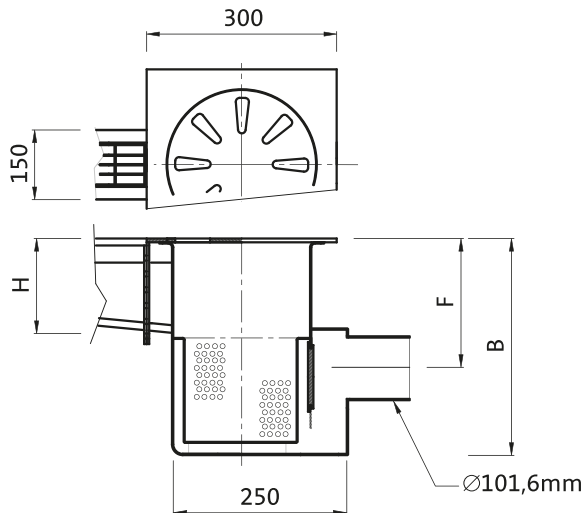




**Note:**  
On request all systems can be fitted with adjustable feet for positioning and height levels.

**PC.002GL** GULLY WITH SINGLE CONNECTION FOR CHANNEL, HORIZONTAL DISCHARGE.

**PC.003GL** GULLY WITH DOUBLE CONNECTION FOR CHANNEL, HORIZONTAL DISCHARGE.



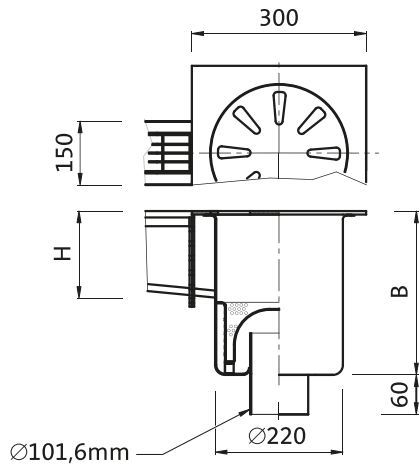
**Note:**  
All systems are produced in accordance with the requirements of the customer, hence parameters such as length and position of the discharges are not binding.

Channel length	Channel height "H" on gully	Size "B"	Middle discharge depth "F"
Up to MT. 5,00	95mm	280mm	130mm
From MT. 5 to MT. 10	120mm	305mm	155mm
From MT. 10 to MT. 15	145mm	330mm	180mm
From MT. 15 to MT. 20	170mm	355mm	205mm
From MT. 20 to MT. 25	195mm	380mm	230mm

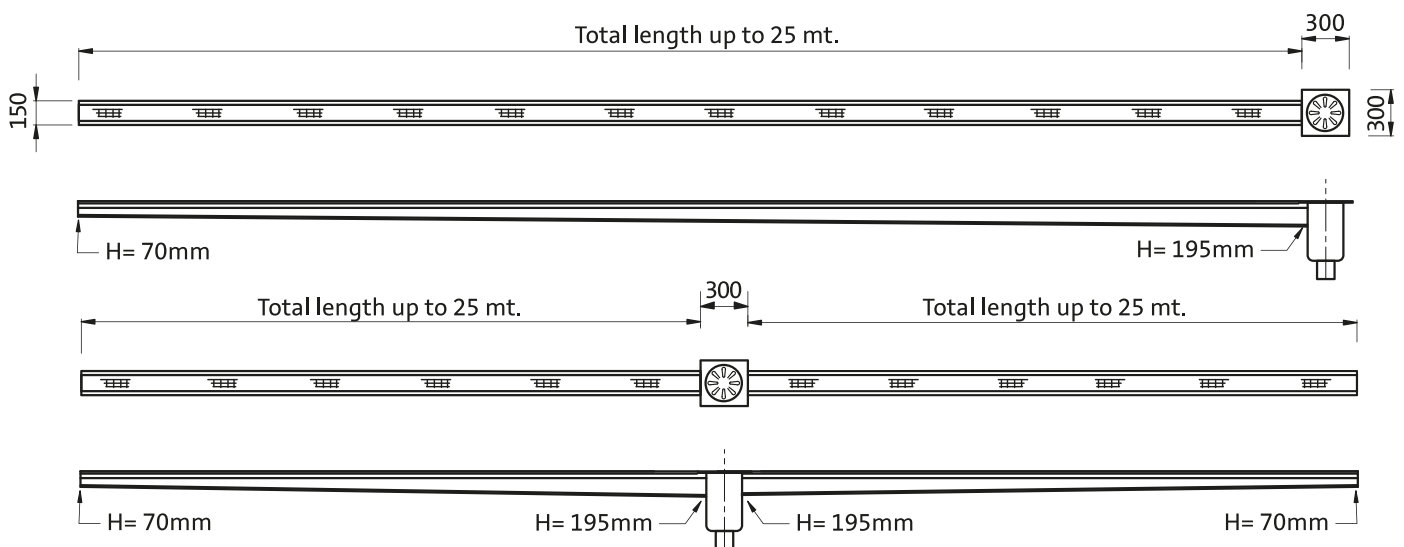
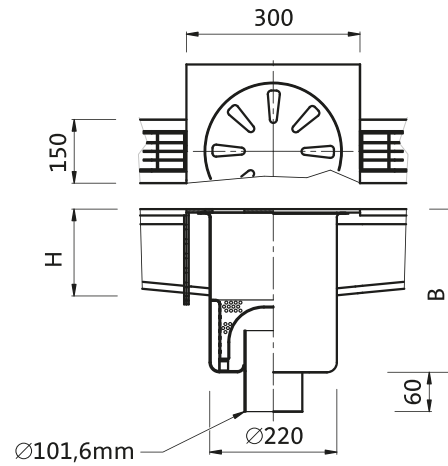


**Note:**  
On request all systems can be fitted with adjustable feet for positioning and height levels.

**PC.002GV** GULLY WITH SINGLE CONNECTION FOR CHANNEL, VERTICAL DISCHARGE.



**PC.003GV** GULLY WITH DOUBLE CONNECTION FOR CHANNEL, VERTICAL DISCHARGE.



**Note:**

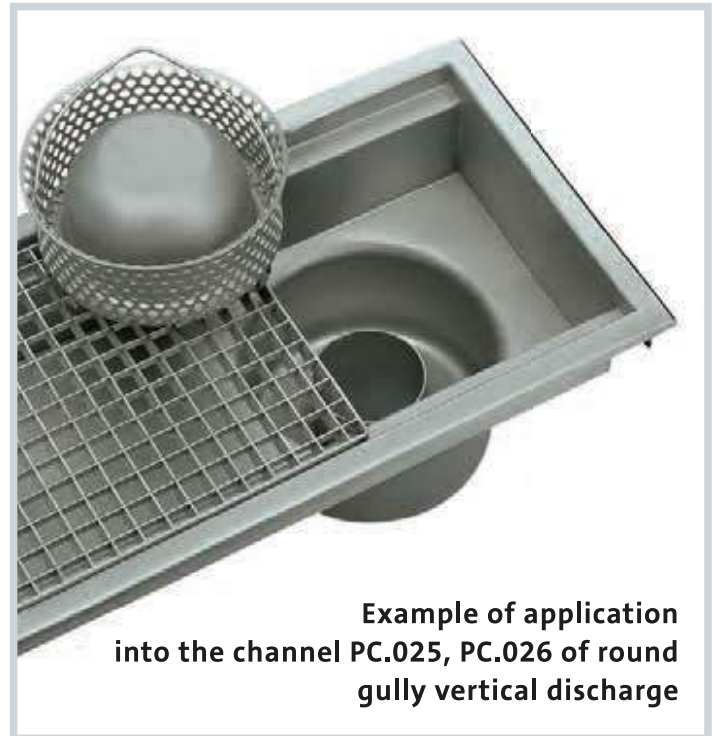
All systems are produced in accordance with the requirements of the customer, hence parameters such as length and position of the discharges are not binding.

Channel height	Channel height "H" on gully	Size "B"
Up to MT. 5,00	95mm	265mm
From MT. 5 to MT. 10	120mm	290mm
From MT. 10 to MT. 15	145mm	315mm
From MT. 15 to MT. 20	170mm	340mm
From MT. 20 to MT. 25	195mm	365mm

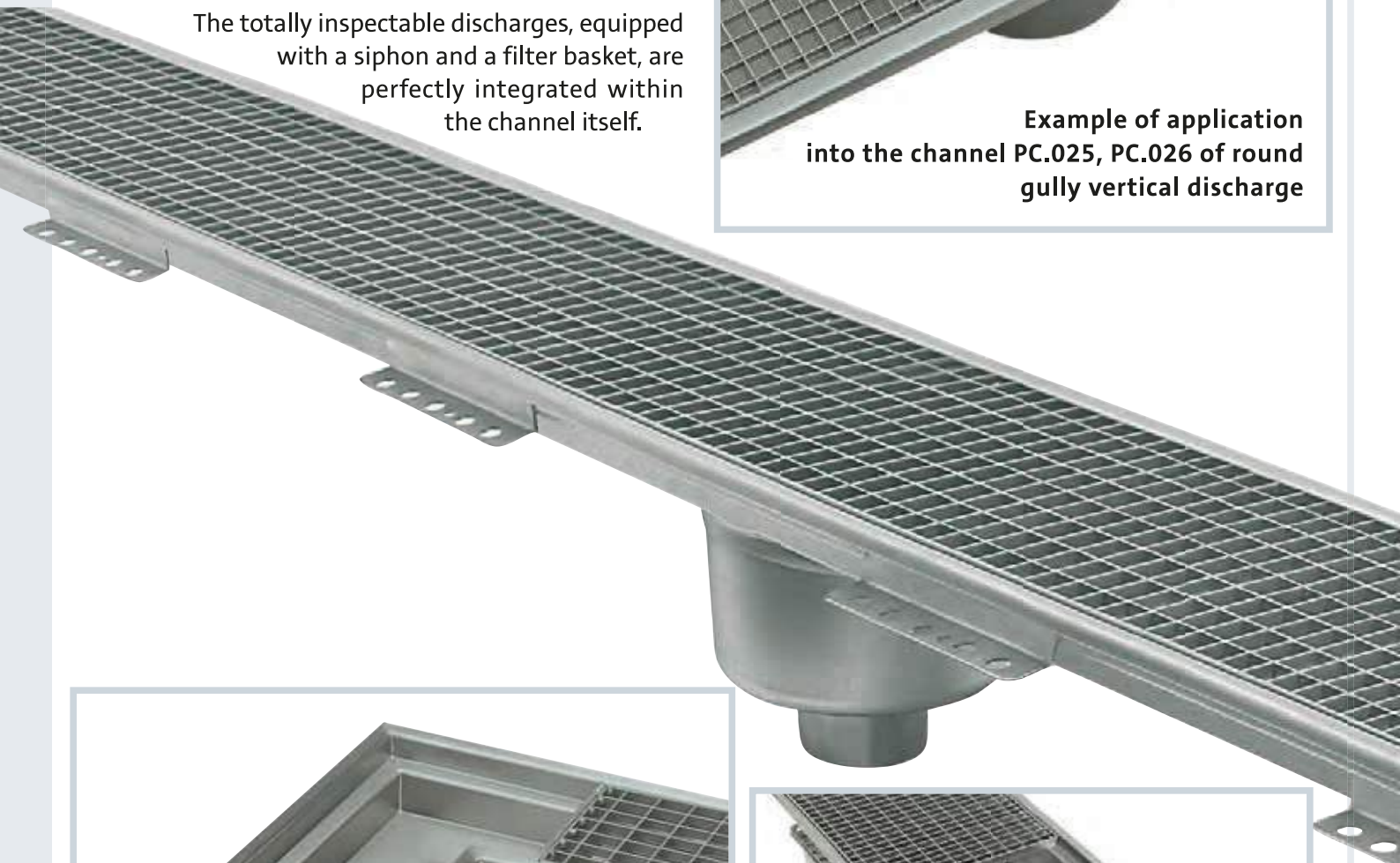
Channels with grating covers are particularly recommended in instances where there is a need for draining large quantities of water relatively quickly; in fact it is possible to combine these items with very large size discharges.

Constructed in AISI 304 stainless steel (or AISI 316 on request) parameters such as length, height, position of the discharges and the flow-rate of the grating covers can be varied depending on individual requirements.

The totally inspectable discharges, equipped with a siphon and a filter basket, are perfectly integrated within the channel itself.



**Example of application into the channel PC.025, PC.026 of round gully vertical discharge**



**Example of execution in corner of 90° into channel PC.024**



**Large capacity collecting well with separate collection of light and heavy solid residues**

In the event that the supply is for large quantities the various modules can be supplied in lengths of 6.00 mt.

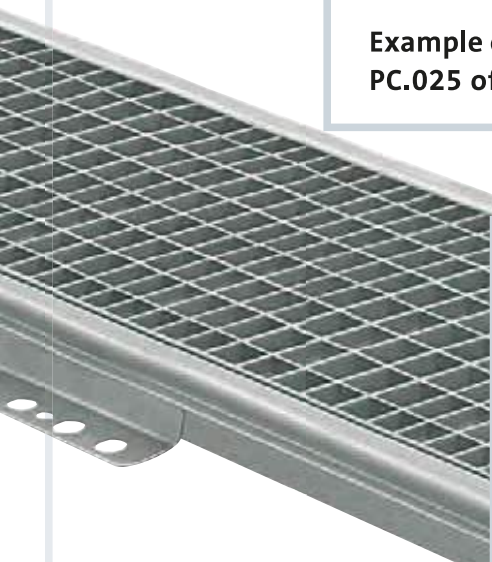
The assembly of the various gullies and the channels is provided for by means of flanges with silicon seals that are secured with bolts to ensure that they remain water-tight.

For small supplies, to optimise the transport operations, the various pieces can be assembled into maximum lengths of 4.00 mt.

To facilitate the installation, a drawing will be attached to the material showing a system of numbering for installation of the pieces in the correct sequence.



**Example of application into the channel PC.024, PC.028, PC.026, PC.025 of square gully horizontal outlet.**





**PC.024 HORIZONTAL DISCHARGE**

**PC.028**

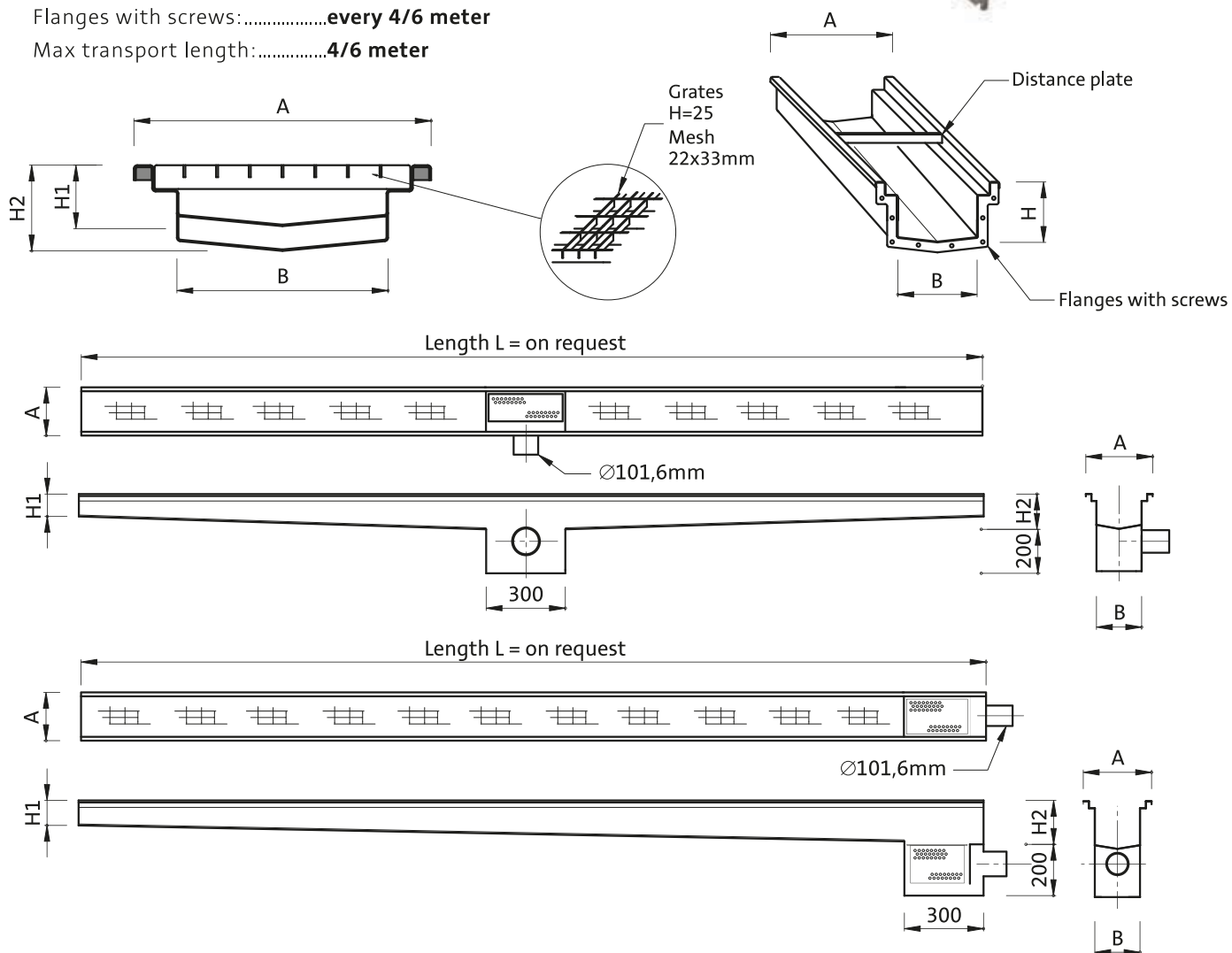
**PC.025**

**PC.026**



### Main Features

- Thickness channels: .....2 mm (3 mm on request)
- Standard grates: .....Height H=25 mm, mesh 22x33 mm
- Integrated slope: .....8 mm per running meter
- Flanges with screws: .....every 4/6 meter
- Max transport length: .....4/6 meter



### Note:

All systems are produced in accordance with the requirements of the customer, hence parameters such as length and position of the discharges are not binding.

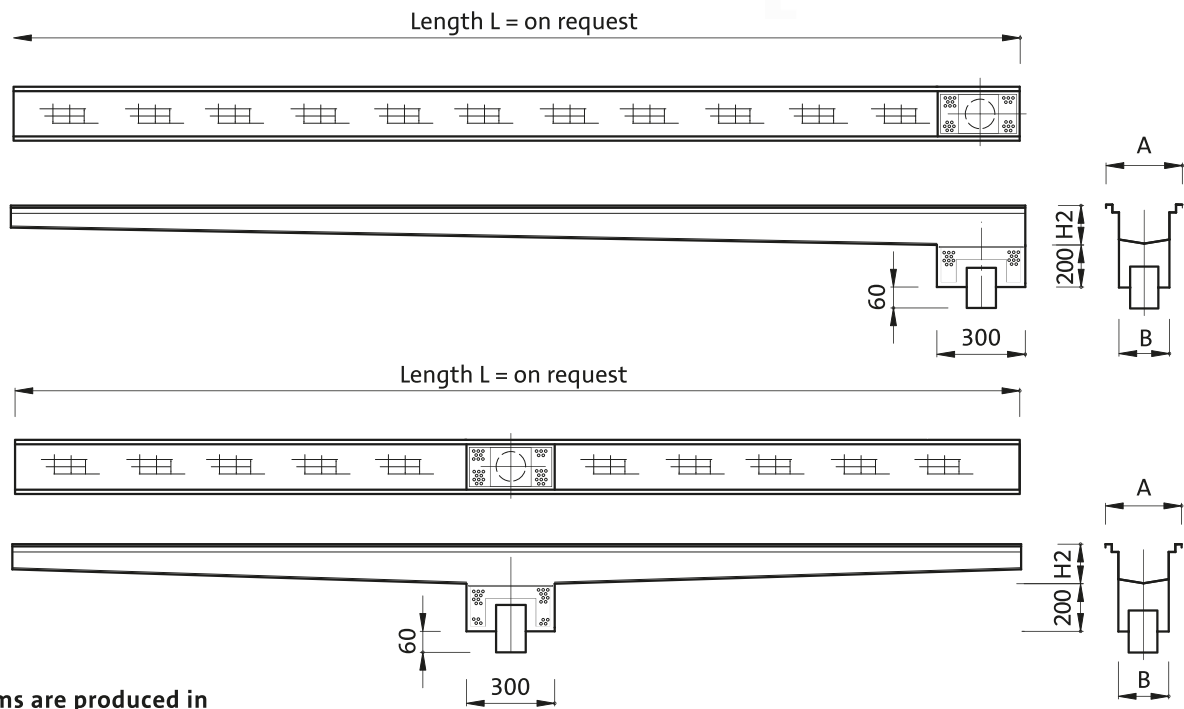
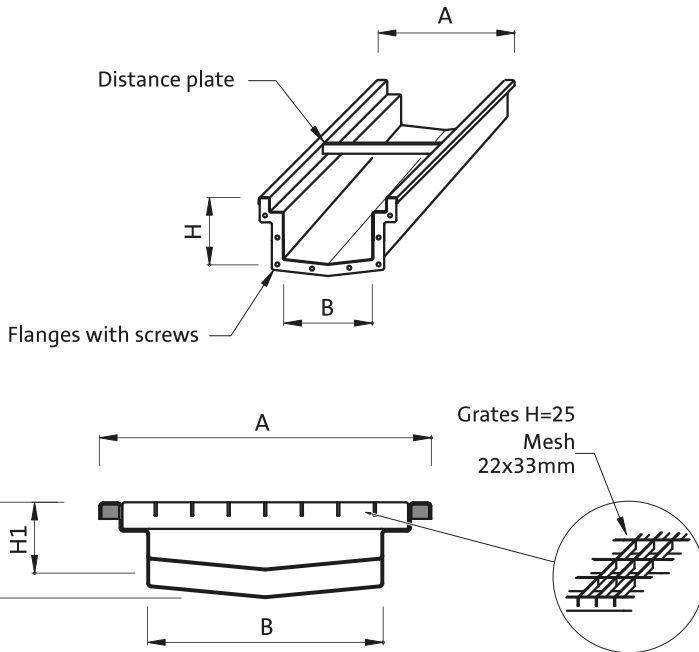
Main measurements					
Item	Size "A"	Size "B"	Height "H1"	Height "H2"	Length "L"
PC.024	200mm	120mm	60mm	H1 + 8mm/MT. Per running meter	On request
PC.028	250mm	170mm	60mm		On request
PC.025	300mm	220mm	60mm		On request
PC.026	400mm	320mm	60mm		On request

**PC.024 VERTICAL DISCHARGE**

**PC.028**

**Main Features**

- Thickness channels:.....**2 mm (3 mm on request)**
- Standard grates:.....**Height H=25 mm, mesh 22x33 mm**
- Integrated slope:.....**8 mm per running meter**
- Flanges with screws:.....**every 4/6 meter**
- Max transport length:.....**4/6 meter**



**NOTE:**  
All systems are produced in accordance with the requirements of the customer, hence parameters such as length and position of the discharges are not binding.

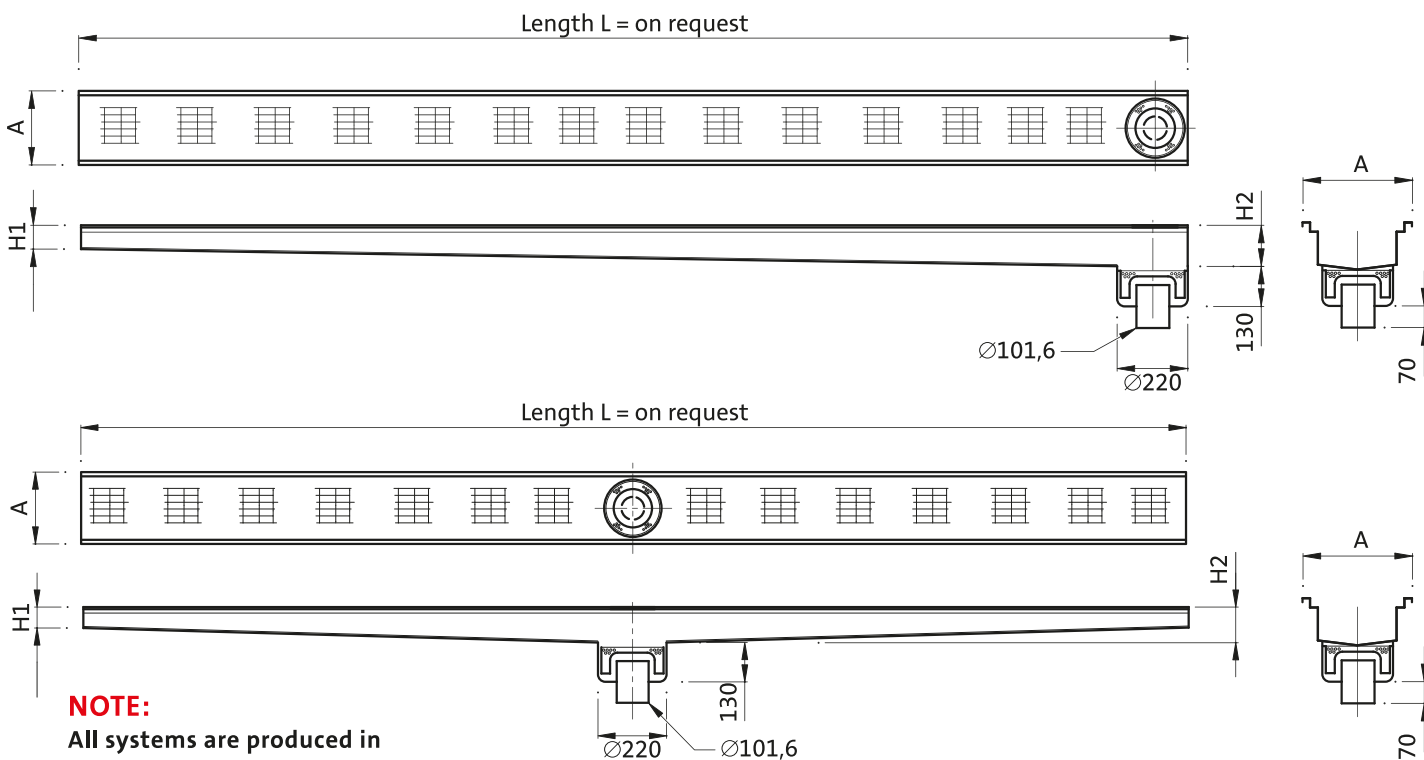
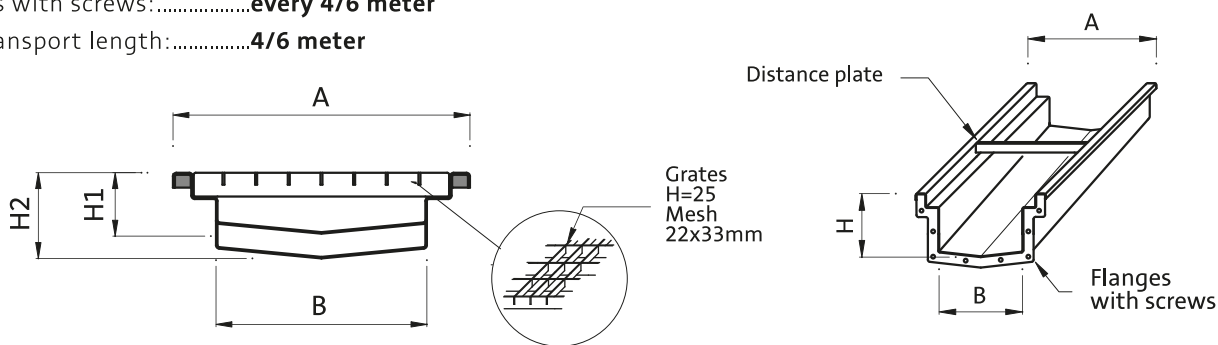
Main measurements					
Item	Size "A"	Size "B"	Height "H1"	Height "H2"	Length "L"
PC.024	200mm	120mm	60mm	H1 + 8mm/MT. Per running meter	on request
PC.028	250mm	170mm	60mm		on request

- PC.025 VERTICAL DISCHARGE**
- PC.026**



### Main Features

- Thickness channels:.....2 mm (3 mm on request)
- Standard grates:.....Height H=25 mm, mesh 22x33 mm
- Integrated slope:.....8 mm per running meter
- Flanges with screws:.....every 4/6 meter
- Max transport length:.....4/6 meter



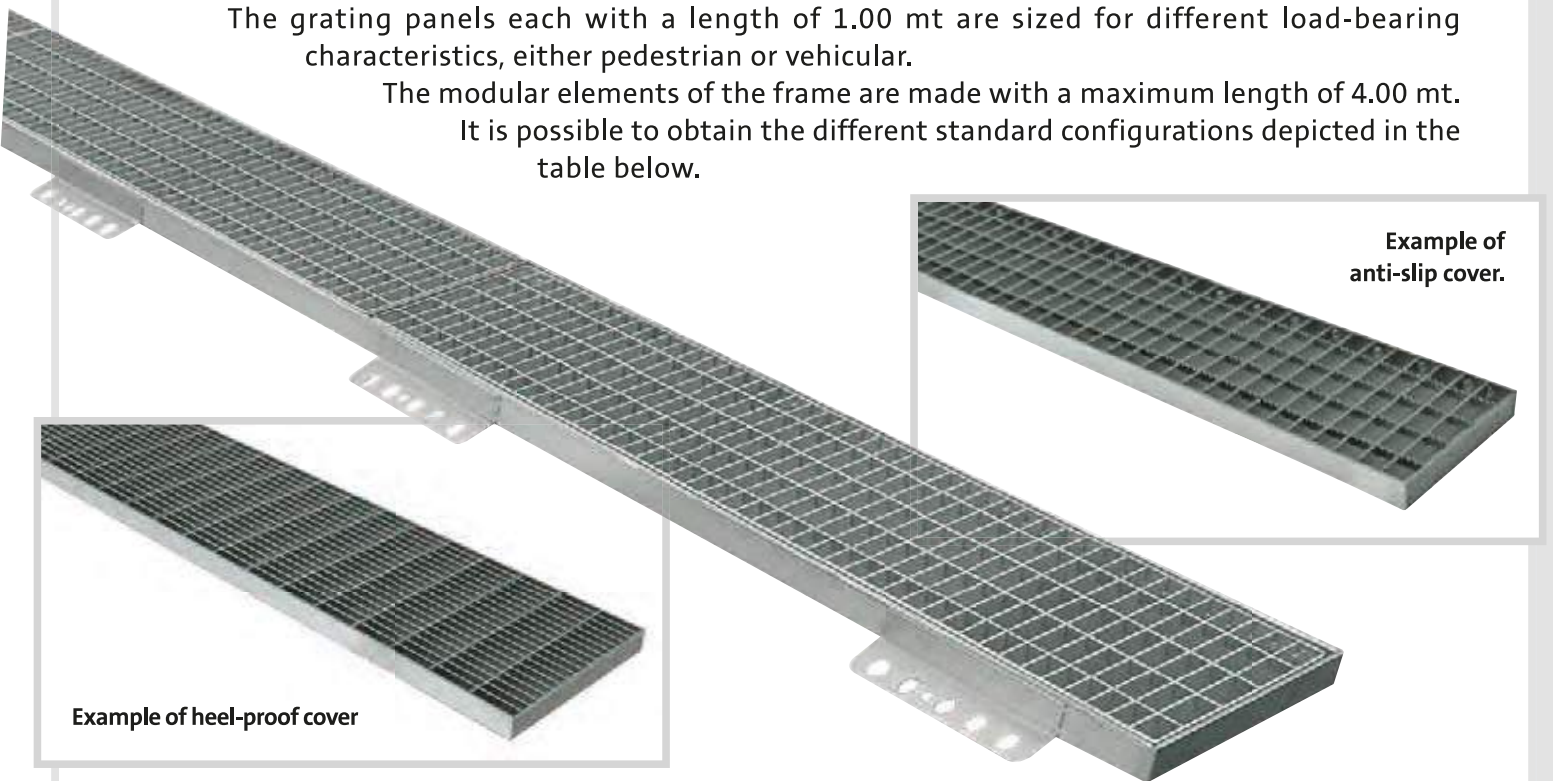
**NOTE:**  
All systems are produced in accordance with the requirements of the customer, hence parameters such as length and position of the discharges are not binding.

Main measurements					
Item	Size "A"	Size "B"	Height "H1"	Height "H2"	Length "L"
PC.025	300mm	220mm	60mm	H1 + 8mm/MT. Per running meter	on request
PC.026	400mm	320mm	60mm		on request

Used in situations in which there is a need for a drainage channel with a grating panel surface resting on an angular frame, with inside channel width usually in concrete. Constructed in AISI 304, they are used particularly in exterior situations such as courtyards and forecourts.

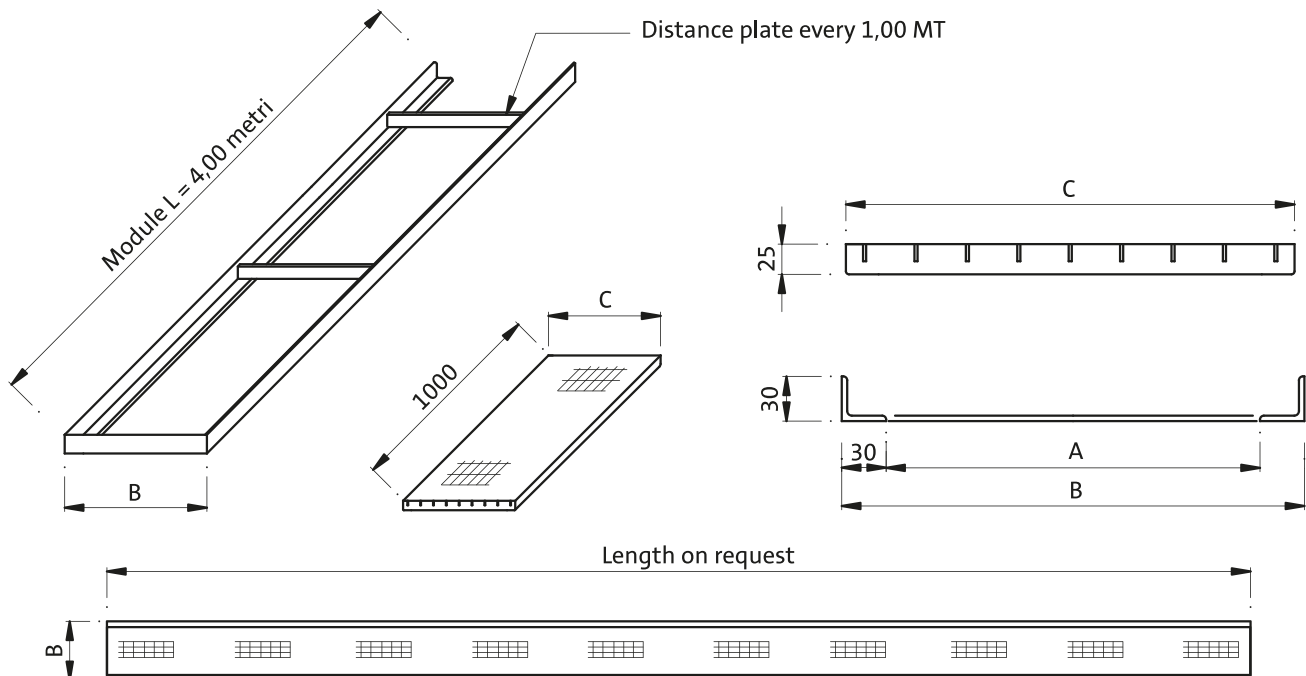
The grating panels each with a length of 1.00 mt are sized for different load-bearing characteristics, either pedestrian or vehicular.

The modular elements of the frame are made with a maximum length of 4.00 mt. It is possible to obtain the different standard configurations depicted in the table below.



Example of heel-proof cover

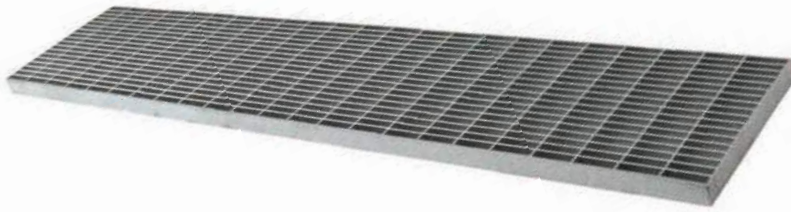
Example of anti-slip cover.



**NOTE:**  
Available with anti-slip, heel-proof panels.

Standard dimensions			
Item	Size "A"	Size "B"	Size "C"
TGR.150	61mm	121mm	108mm
TGR.200	108mm	168mm	155mm
TGR.250	158mm	218mm	205mm
TGR.300	208mm	268mm	255mm
TGR.400	308mm	368mm	355mm





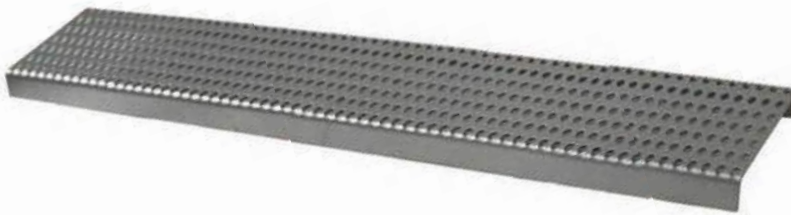
**Heel-proof version grating panel**

**NOTE: Medium suitability for vehicles for all models.**



**Panel in textured heavy duty sheet metal with slots and reinforcements in heel-proof plate**

**NOTE: Good suitability for vehicles for all models.**



**Panel in perforated sheet metal normally used with PC 023**

**NOTE: Not suitable for vehicles**



**Grating panel with anti-slip grooves**

**NOTE: For all models**



**Slotted panel in heavy duty sheet steel particularly for PC 023 - PC 024**



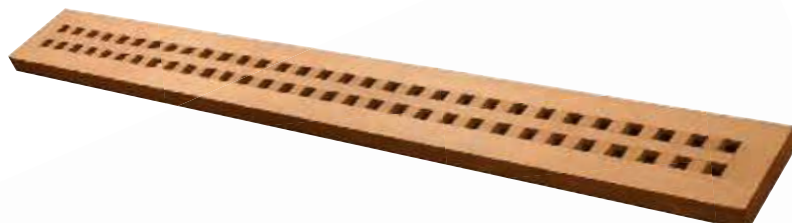
**Flat bar panel**

**NOTE: Excellent suitability for vehicles for all models**



**Heavy duty plate panel + square section bar reinforcements. Particularly for PC 023 - PC 024.**

**Excellent suitability for vehicles**



**Cover in Tek, mainly for channels in shower and pool areas.**