

PALLETS IN ALUMINIUM

ISN Technology offers a wide range of pallets for all possible applications

YOUR BENEFITS

- GMP - compliant
- Easy to clean
- Robust design
- Resistent to temperature fluctuations
- Extremely long service life
- Anti-static
- Suitable for roller coneyors
- Stackable
- Low weight
- Recyclable
- Positive imapct on eco-balance

Aluminium pallet type 100719



Part No.	Dimensions L X P X H mm
ISN 100719 AL	1200 x 800 x 150

- Number of cross bars: 5
- Distance between bars: 107 mm
- Ground clereance front face: 120 mm
- Entry height long side: 98 mm
- Weight: 12.5 Kg +/-10%
- Loading capacity: 1000 Kg
- Frames and bars made of rectangular sections with central rib
- All sections edges rounded
- With 2 longitudinal skids consisting of special-purpose section with central rib
- Access on 2 sides with manual lift trolley
- Suitable for storage racks and roller conveyors

Optional: electro polished surface

Aluminium pallet type 100729

Part No.	Dimensions L X P X H mm
ISN 100729 AL	1200 x 800 x 150



- Number of longitudinal bars: 4
- Distance between bars: 64 mm
- Ground clearance front face: 120 mm
- Entry height long side: 98 mm
- Weight: 13.3 Kg +/-10%
- Loading capacity: 1000 Kg
- Frames and bars made of rectangular section with central rib
- All section edges rounded
- With 2 longitudinal skids consisting of special-purpose section with central rib
- Access on 2 sides with manual lift trolley
- Adatto per lo stoccaggio e trasportatori a rullo

Optional: electro polished surface

Aluminium sandwich pallet type 109747

Part No.	Dimensions L X P X H mm
ISN 109747 AL	1200 x 800 x 146



- Pallet deck in sandwich design
- Ground clearance distance: 120 mm
- Entry height long side: 98 mm
- Weight: 16 Kg +/-10%
- Loading capacity: 1200 Kg
- Pallet deck welded all round
- All section edges rounded
- With 2 longitudinal skids consisting of special-purpose section with central rib
- Access on 2 sides
- Suitable for roller conveyors

Optional: electro polished surface

Aluminium 4-way pallet type 106818



Part No.	Dimensions L X P X H mm
ISN 106818 AL	1200 x 800 x 150

- Number of longitudinal bars: 4
- With 4 feet corners
- Distance between bars: 64 mm
- Ground clearance on all sides: 120 mm
- Weight: 11.5 Kg +/-10%
- Loading capacity: 600 Kg
- Frames and bars made of rectangular sections with central rib
- Access on 4 sides
- Suitable for storage racks with closed bases

Optional: electro polished surface

Aluminium pallet with short skids 113064



Part No.	Dimensions L X P X H mm
ISN 113064 AL	1200 x 800 x 130

- Number of longitudinal planks: 4
- Distance between planks: 64 mm
- Ground clearance on all sides: 100 mm
- Length of short skids: 300 mm
- Weight: 12 Kg +/-10%
- Loading capacity: 800 Kg
- All section edges rounded
- Suitable for storage racks and roller conveyors

Optional: electro polished surface

Aluminium pallet type 100539



Part No.	Dimensions L X P X H mm
ISN 100539 AL	1200 x 800 x 150

- Number of cross bars: 6
- Distance between bars: 80 mm
- Ground clearance front face: 120 mm
- Entry height long side: 98 mm
- Weight: 14 Kg +/-10%
- Loading capacity: 1500 Kg
- Frames and bars made of rectangular section with central rib
- All section edges rounded
- Access on 2 sides
- Suitable for storage racks and roller conveyors

Optional: electro polished surface

Aluminium pallet type 100547



Part No.	Dimensions L X P X H mm
ISN 100547 AL	1200 x 800 x 150

- Number of longitudinal bars: 4
- Distance between bars: 64 mm
- Ground clearance front face: 120 mm
- Entry height long side: 98 mm
- Weight 14.3 Kg +/-10%
- Loading capacity: 1200 Kg
- Frames and bars made of rectangular sections with central rib
- All section with rounded edges
- Access on 2 sides
- Suitable for storage racks and roller conveyors

Optional: elettro polished surface

Aluminium sandwich pallet type 100667



Part No.	Dimensions L X P X H mm
ISN 100667 AL	1200 x 800 x 146

- Pallet deck in sandwich design
- Ground clearance on all sides : 120 mm
- Weight: 14.9 Kg +/-10%
- Loading capacity: 1000 Kg
- Pallet deck welded all around
- All section edges rounded
- Suitable for storage racks with closed bases

Optional: elettro polished surface

Aluminium sandwich pallet type 107828

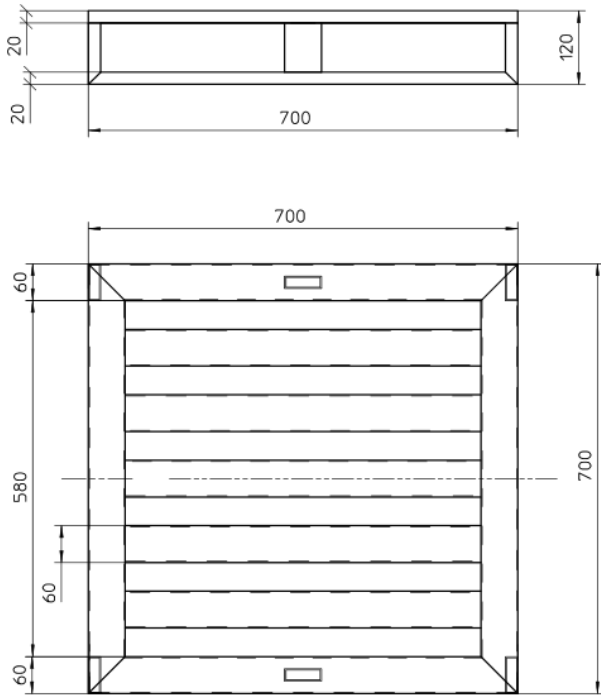


Part No.	Dimensions L X P X H mm
ISN 107828 AL	1200 x 800 x 146

- Pallet deck in sandwich design
- Ground clearance front face: 120 mm
- Entry height long side: 17.5 Kg +/-10%
- Loading capacity: 1500 Kg
- Pallet deck welded all round
- All section edges rounded
- Access from 4 sides
- Suitable for storage and roller conveyors

Optional: elettro polished surface

We build pallets according to customer specifications



Pos	Denominazione	Dimensione	Qta	Materiale	Disegno	Rev	Peso
.
.
.
REV.	DATA	DESCRIZIONE				FIRMA	
QUOTE SENZA INDICAZIONE DI TOLLERANZA : GRADO DI PRECISIONE MEDIO UNI-EN 22768-1 -2							
DISEGNATO		SCALA		DATA			
Isola N		1/5.5		04/09/2013			
LSN technology Lucca		COMMESSA #COMM#		APPROVAZIONE		NOTE	
ALUMINUM PALLET 700x700x120						DISEGNO	
						300146	
QUESTO DISEGNO NON PUO' ESSERE RIPRODOTTO O USATO SENZA NOSTRA AUTORIZZAZIONE SCRITTA. THIS DRAWING CANNOT BE REPRODUCED OR GIVEN UP TO THIRD PARTIES WITHOUT OUR WRITTEN AUTHORIZATION						REV	
						0	

SAFETY BOX PALLETS IN ST. ST. AISI 304 / ALUMINIUM

Ideal for the efficient flow of material and safe storage

YOUR BENEFITS

- GMP – compliant
- Safe transport and storage
- Versatile and flexible
- Easy to set up and take down
- Stackable
- Suitable for roller conveyors
- 100% recyclable

Safety box Pallet with doors and cover lockable type 100880



Part No.	External Dimensions	External Dimensions
	L X P X H mm	L X P X H mm
ISN 100880 St. St.	1400 x 1080 x 1212	1300 x 1000 x 1000
ISN 100880 AL	1400 x 1080 x 1212	1300 x 1000 x 1000

- Entry height long side: 98 mm
- Distance between the grid bars: 29.5 mm
- Cover opening angle: 80° approx.
- Door opening angle: 270° approx.
- Weight: 74 Kg +/-10%
- Loading capacity: 1000 Kg
- Firmly welded box pallet, lockable with doors and cover
- Cover with pneumatic spring action
- 2 wing doors
- 2 longitudinal skids
- Side walls and lid with grid bars
- Stackable

Standard box pallet type 100860



Part No.	Dimensions L X PX H mm
ISN 100860 St. St.	1200 x 800 x 875
ISN 100860 AL	1200 x 800 x 875

- Number of cross bars: 7
- Distance between bars: 60 mm
- Ground clearance front face: 122 mm
- Entry height long side: 100 mm
- Distance between the grid bars: 77 mm
- Weight: 36 Kg +/- 10%
- Loading capacity: 1000 Kg
- Collapsible, stackable, consisting of:
 - 1 x standard base with skids
 - 2 x clip-on front walls with stack corners and suspensions lugs
 - 2 x insertable side walls

Compact box pallet type 100852



Part No.	Dimensions L X PX H mm
ISN 100852 St. St.	1200 x 800 x 875
ISN 100852 AL	1200 x 800 x 875

- Number of longitudinal bars: 4
- Bar width: 80 mm
- Distance between bars: 64 mm
- Ground clearance on all sides: 120 mm
- Distance between the grid bars:
 - foldable long side wall: 79 mm
 - fixed side and front walls: 80 mm
- Weight: 30 Kg +/- 10%
- Loading capacity: 1000 Kg
- Stackable
- Version with ½ foldable long side wall
- Entry height long side: 98 mm

Foldable box pallet type 100050



Part No.	Dimensions L X PX H mm
ISN 100050 St. St.	1200 x 1016 x 936
ISN 100050 AL	1200 x 1016 x 936

- Number of cross bars: 9
- Distance between bars: 56 mm
- Ground clearance on all sides: 110 mm
- Distance between the grid bars: 73 mm
- Weight: 72 Kg +/- 10%
- Loading capacity: 1000 Kg
- Consisting of:
 - 1 x base with 4 feet
 - 2 x front walls
 - 2 x side walls
- Material: Stainless steel 1.4301
- Stackable

We build box pallets according to customer specifications
We make box pallets in stainless steel AISI 316

